



This Installation Guide is comprised of pages [1/2] and [2/2]. This “Installation Guide” explains the installation method of the camera using the ceiling mount cover (sold separately). Please be sure to read the “Safety Precautions” section for correct use. After reading this Installation Guide, keep it in a readily accessible location for future reference. This camera is for indoor use only.

\* Some cameras are not available in certain countries or regions.

**WARNING** To reduce a risk of fire or electric shock, do not expose this product to rain or moisture.

**Caution** Request a professional installer for all installation work. Never try to install the camera yourself. Doing so may result in unforeseen accidents such as dropping the camera or electric shock.

## Check Included Items

Camera	Installation Guide (This document)
Power connector	Warranty card

## Symbols used in this Installation Guide

Parts indicated in the Installation Guide [2/2] with this icon are not included with the camera, and should be provided by the user.

## Accessories

The following accessories can be purchased separately as necessary. Some accessories are not available in certain countries or regions. A ceiling mount cover or indoor dome housing is necessary to install the camera on a ceiling.

### Ceiling Mount Cover SS40-S-VB/SS40-B-VB

Dedicated accessory used to install the camera on a ceiling. The ceiling mount cover is available in two colors: silver (SS40-S-VB) and black (SS40-B-VB).

### Indoor Dome Housing DR41-C-VB/DR41-S-VB

Dedicated accessory used to embed the camera into the ceiling. The dome is available in two colors: clear (DR41-C-VB) and smoked (DR41-S-VB).

### Pendant Mounting Kit PC600-VB

Dedicated accessory used to install the camera to the end of pipe that extends from high ceilings, such as in big-box stores.

### Important

When this accessory is used, the camera may shake more than the vibrations in the ceiling depending on how the pipe is mounted to the ceiling. If the camera angle is off, use pan and tilt to re-adjust the angle.

### AC Adapter PA-V18

Dedicated AC adapter for this camera.

## Safety Precautions

### Installation Precautions

**Warning** Failure to follow the instructions may result in death or serious injury.

Do not install in the following places:

- Places in direct sunlight, near heat-generating objects, or locations subject to high temperatures
- Places near fire sources or flammable solvents (alcohol, thinner, fuel, etc.)
- Humid or dusty places
- Places subject to oily smoke or steam
- Places subject to sea air
- Confined or enclosed places

Failure to do so may result in fire or electric shock.

#### Notes on Power Supply

- Only use the dedicated AC adapter (sold separately) when using AC adapter.
- Do not set any heavy objects on the power cable (or the LAN cable for a PoE power supply).
- Do not pull, forcibly bend, scratch, or modify the power cable (or the LAN cable for a PoE power supply).
- Do not cover or wrap the AC adapter (sold separately) with cloth or blankets.

Failure to do so may result in fire or electric shock.

**Caution** Failure to follow the instructions may result in injury.

For installation or inspection of this camera, consult the dealer where you purchased the product.

- This installation should be made by a qualified service person and should conform to all local codes.
- When installing, make sure the surface is capable of withstanding the total weight of the camera and accessories, and sufficiently reinforce if necessary.
- Be sure to use installation screws designed for the type of surface the camera is to be installed.
- Periodically check the parts and screws for rust and loosening, in order to prevent injuries and equipment damage due to falling items.

- Do not install in unstable places, places subject to significant vibration or impact, or places subject to salt damage or corrosive gas.
- The camera cannot be installed on vertical surfaces such as walls.
- Be sure to attach the safety wire when installing the camera.

Failure to do so may result in the camera falling or other accidents.

- Do not touch the edges of metal parts with bare hands.
- Be careful not to get your fingers caught when installing.

Failure to do so may result in injuries.

**Caution** Failure to follow the instructions may result in property damage.

- Do not hold the device by the camera head.
- Do not turn the camera rotator by hand.
- Never touch the camera head during initialization.
- Do not install on an unstable surface. Also, make sure the camera is installed  $\pm 5^\circ$  or less horizontal.
- After turning off the power, do not turn the power on again for at least five seconds.
- Take measures to remove static electricity before performing any procedures.
- If there is condensation, please wait to power on, until the condensation dissipates.
- The network camera is only intended for a connection to an Ethernet or PoE network without routing to the outside plant.

Failure to do so may result in malfunctions.

- Take care not to damage wiring or piping.

Failure to do so may result in damage to peripheral items.

### Important

- We recommend the installation of a lightning arrester (a surge protection device) as a measure against failures caused by lightning strikes. Please refer to our website for details.
- The camera can be installed in the upright position. Attach commercial anti-slip guards to the base of the camera and set on a flat, stable surface without inclination, or fix the camera to a tripod, etc. Be sure to use a tripod with mounting screws shorter than 5.5 mm (0.22 in.). Using a tripod with mounting screws 5.5 mm (0.22 in.) or longer may damage the camera. Also, use a tripod with a base diameter of 30 mm (1.18 in.) or more.

## Precautions for Use

**Warning** Failure to follow the instructions may result in death or serious injury.

- If you discover defective conditions such as smoke, strange sounds, heat or strange odors, immediately stop using the camera and contact your nearest dealer.

Fire or electric shock may result from continued use of the product.

- If thunder starts, stop installation or inspection etc. and do not touch the camera or continue connecting the cable.
- Do not disassemble or modify the camera.
- Do not damage the connecting cable.
- Do not spray the camera with water, or otherwise make it wet.
- Do not insert foreign objects such as water or metal into the camera.
- Do not use flammable sprays near the camera.
- Do not leave LAN cables, external power supply, or the power connector for the AC adapter (sold separately) connected when the camera is not in use for long periods.
- Do not use flammable solvents such as alcohol, paint thinner or benzene when cleaning the camera.

Failure to do so may result in fire or electric shock.

- This camera should not be used with medical devices or other life-support systems.
- Depending on the computer and network environment, high-precision video transmission cannot be guaranteed due to video lag or loss.

Canon will assume no liability for any accident or damage resulting from use of the camera under the conditions above.

### Only for European Union and EEA (Norway, Iceland and Liechtenstein)

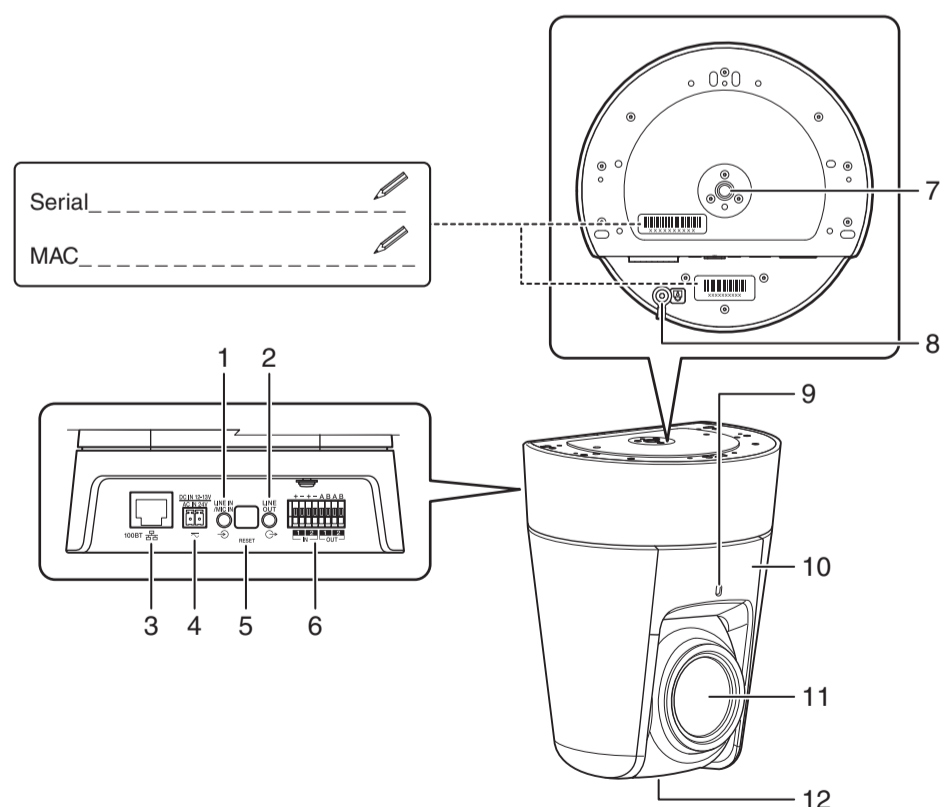
These symbols indicate that this product is not to be disposed of with your household waste, according to the WEEE Directive (2012/19/EU), the Battery Directive (2006/66/EC) and/or national legislation implementing those Directives.

If a chemical symbol is printed beneath the symbol shown above, in accordance with the Battery Directive, this indicates that a heavy metal (Hg = Mercury, Cd = Cadmium, Pb = Lead) is present in this battery or accumulator at a concentration above an applicable threshold specified in the Battery Directive.

This product should be handed over to a designated collection point, e.g., on an authorized one-for-one basis when you buy a new similar product or to an authorized collection site for recycling waste electrical and electronic equipment (EEE) and batteries and accumulators. Improper handling of this type of waste could have a possible impact on the environment and human health due to potentially hazardous substances that are generally associated with EEE. Your cooperation in the correct disposal of this product will contribute to the effective usage of natural resources.

For more information about the recycling of this product, please contact your local city office, waste authority, approved scheme or your household waste disposal service or visit [www.canon-europe.com/weee](http://www.canon-europe.com/weee), or [www.canon-europe.com/battery](http://www.canon-europe.com/battery).

## Part Names



1. Audio input terminal (common LINE IN and MIC IN) / 2. Audio output terminal (LINE OUT) / 3. 100Base-TX LAN connector / 4. Power connection terminal / 5. Reset Switch\*1 / 6. External Device I/O Terminals / 7. Fixing screw hole for tripod / 8. Safety wire attachment / 9. LED (Blue)\*2 / 10. Memory card cover / 11. Lens / 12. Camera head

\*1 Please refer to the “Operation Guide” for the method to reset the camera.

\*2 On: when powered on, during reboot, during normal use / Off: when [Turn Off] is selected (please refer to the “Operation Guide”)

## Specifications

Please refer to the “Specifications” for specifications not listed below.

Lens	20x optical zoom (20x digital zoom) lens with auto focus	
Viewing Angle	For 16:9 aspect ratios Horizontal: 60.4° (W) – 3.2° (T)      Vertical: 35.1° (W) – 1.8° (T)	
	For 4:3 aspect ratios Horizontal: 46.3° (W) – 2.4° (T)      Vertical: 35.1° (W) – 1.8° (T)	
Pan Angle Range	340° (±170°)	
Tilt Angle Range	100° (ceiling-mounted position: -90° – +10°) When the horizontal direction of the camera is 0°	
Network Terminal*	LAN x 1 (RJ45, 100Base-TX (auto/full-duplex/half-duplex)) * Use a category 5 or better LAN cable, 100 m (328 ft.) or less in length.	
Audio Input Terminal (common for LINE IN & MIC IN)	Φ3.5 mm (Φ0.14 in.) mini-jack connector (monaural)	
Audio Output Terminal (LINE OUT)	Φ3.5 mm (Φ0.14 in.) mini-jack connector (monaural)	
External Device I/O Terminal	Input x 2, Output x 2	
Memory Card	SD Memory Card, SDHC Memory Card, SDXC Memory Card Compatible.	
Operating Environment	Temperature: AC, DC, PoE: -10°C – +50°C (+14°F – +122°F) Humidity: 5% – 85% (without condensation)	
Storage Environment	Temperature: -30°C – +60°C (-22°F – +140°F)      Humidity: 5% – 90% (without condensation)	
Installation	Ceiling mount – Canon will not guarantee proper operation if the cameras are installed on surfaces where the angle is more than ±5° from horizontal or on walls, because this will put a heavy load onto sliding mechanical parts and may affect durability.	
Power Supply	PoE: PoE power supply via LAN connector (IEEE802.3at Type1 compliant) AC Adapter: PA-V18 (100 – 240 V AC) (sold separately) External power source: 24 V AC/12 V DC	
Power Consumption	PoE: Max. approx. 9.2 W* AC Adapter PA-V18: Max. approx. 9.9 W (100 V AC) Max. approx. 9.4 W (240 V AC) DC: Max. approx. 8.6 W AC: Max. approx. 8.8 W * Class 0 power sourcing equipment (requests 15.4 W)	
Weight	Approx. 1140 g (2.52 lb.)	

## Connecting the Camera

### Power Connection

Please be sure to read the user manual for the dedicated power supply before use.

#### Note

- Power supply should conform to all local codes.
- The power supply should also comply with IEC/UL60950-1 (SELV/LPS) standards.
- The camera does not have a power switch. Connecting and disconnecting the LAN cable (PoE power supply), AC adapter, or external power supply plug turns the power ON and OFF, respectively.
- When the camera needs to be rebooted, perform the reboot operation from the camera setting page (please refer to the “Operation Guide”).

### PoE (Power over Ethernet)

Power can be supplied to the camera by using a LAN cable to connect it to a PoE HUB that conforms to the IEEE802.3at Type1 standard.

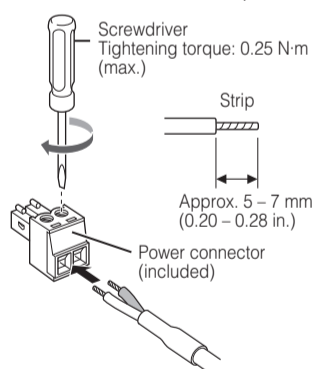
#### Important

- Check with your dealer for more information about PoE HUB and Midspan technology. Midspan (a LAN cable power supply device) is a device that, like a PoE HUB, supplies power to the camera via a LAN cable.
- Some PoE HUBs allow the limitation of power for each port, but applying limits may interfere with performance. If using this type of PoE HUB, do not limit the operating power.
- Some PoE HUBs have limits for the total power consumption for the ports, which can interfere with performance when multiple ports are in use. For more information, check the instruction guide for your PoE HUB.
- The camera can also be connected to an AC adapter (sold separately) while receiving power from a PoE HUB. In such cases, the PoE power supply is given priority, and the camera does not use the power supply from the AC adapter (sold separately). When the PoE power supply is disconnected, power is supplied automatically from the AC adapter (sold separately).

### External Power Supply

12 V DC or 24 V AC input can be used.

Connect the included power connector as shown below.



12 V DC can be connected in a non-polar configuration.

#### Important

- The power supply should be within the following voltage range.
- 24 V AC: Voltage fluctuation within ±10% of 24 V AC (50 Hz or 60 Hz ±0.5 Hz or less)  
Current supply capacity of at least 1.0 A per camera
- 12 V DC: Voltage fluctuation within ±10% of 12 V DC  
Current supply capacity of at least 1.5 A per camera
- When using a 12 V DC battery power supply, be sure to connect resistors of at least 0.5 – 1.0 Ω/20 W in series to the power line.
- For an external power supply, use a double-insulated device.

### Recommended Power Cables [Reference]

Cable (AWG)	24	22	20	18	16
12 V DC maximum cable length m (ft.)	5 (16.4)	9 (29.5)	14 (45.9)	23 (75.5)	32 (105.0)
24 V AC maximum cable length m (ft.)	11 (36.1)	18 (59.1)	29 (95.1)	46 (150.9)	64 (210.0)

Use UL cable (UL-1015 or equivalent) for 12 V DC or 24 V AC wiring.

### AC Adapter

Use the dedicated AC adapter (sold separately).

### External Device I/O Terminals

External device I/O terminals consist of two input and output systems each. Viewer can be used to check external device input status and control output to an external device (please refer to the “Operation Guide”).

#### External Device Input Terminals (IN1, IN2)

External device input terminals consist of two sets (IN1, IN2) of two terminals, with the negative terminals connected to the camera interior GND. Connecting cables to the positive and negative terminals and opening or closing the circuit notifies the Viewer.

#### Important

- When connecting sensors and switches, connect terminals that are electrically isolated from the respective power and GND.
- Do not push the external device I/O terminal button with too much force. Doing so may cause the button to remain pushed-in.

### External Device Output Terminals (OUT1, OUT2)

External device output terminals consist of two sets (OUT1, OUT2) of two terminals. The sets have no polarity. Controls from the viewer can be used to open and close the circuit between the terminals. Using optical couplers, the output terminals are isolated from the camera's internal circuit.

The load connected to the output terminals should be within the following rating range.

Rating between output terminals:

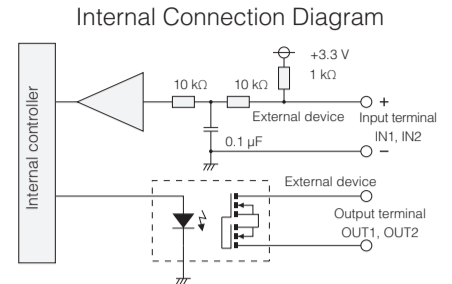
Maximum voltage 50 V DC

Continuous load current at or below 100 mA

On resistance: Max. 30 Ω

#### Note

Adaptive wiring for external device cables  
Solid conductor AWG: No. 28 – 22  
Cable strip should be approx. 8 – 9 mm (0.31 – 0.35 in.)



### Audio Input/Output Terminals

Each audio input/output terminal has one input system and one output system.

Connecting the camera to an audio input/output device such as a microphone or a speaker with an amplifier allows you to send/receive audio through the viewer.

#### Audio Input Terminal Common LINE IN/MIC IN (monaural input)

Although the camera has a single audio input system, it supports two types of microphone input: LINE IN and MIC IN. Before using the audio input, change [Audio Input Mode] on the Setting Page (please refer to the “Operation Guide”). LINE IN is selected by default.  
Input terminal: Φ3.5 mm (Φ0.14 in.) mini jack (monaural)

- Dynamic MIC IN  
Input impedance: 1.5 kΩ ±5%  
\* Supported microphones: Output impedance: 400 Ω – 600 Ω
- Condenser MIC IN  
Input impedance (microphone bias resistance): 2.2 kΩ ±5%  
Microphone power supply: plug-in power (voltage: 1.8 V)  
\* Supported microphones: Condenser microphones with plug-in power support
- LINE IN  
Input level: up to 1 Vp-p  
\* Use a microphone with an amplifier.

#### Audio Output Terminal LINE OUT (monaural output)

Connect the camera to a speaker with an amplifier. Audio can be sent to the speaker from Viewer.

Output terminal: Φ3.5 mm (Φ0.14 in.) mini jack (monaural)

Output level: up to 1 Vp-p

\* Use a speaker with an amplifier.

#### Important

- Using incorrect settings for [Audio Input Mode] may damage the camera and/or microphone. Be sure to configure the settings correctly.
- Microphone characteristics may affect volume and sound quality.
- Images and audio do not always synchronize properly.
- Audio may be interrupted depending on PC characteristics and network environment.
- Video and audio can be streamed to up to 30 clients. However, audio may be interrupted when streaming to many clients or using SSL.
- Audio may be interrupted when using antivirus software.
- Connecting and disconnecting the LAN cable interrupts the audio. Use the viewer to reconnect.

CANON INC.

30-2, Shimomaruko 3-chome, Ohta-ku, Tokyo 146-8501, Japan

CANON EUROPA N.V.

Bovenkerkerweg 59, 1185 XB Amstelveen, The Netherlands

© CANON INC. 2017

Printed in Taiwan



1

**JA** 落下防止用ワイヤーをアンカーや構造物にしっかり取り付けます。天井側に付けた後に、カメラ側にも落下防止用ワイヤーを、カメラに締結されているネジで固定します。

**EN** Securely attach the safety wire to an anchor or structure. After securing one end of the safety wire to the ceiling, secure the other end to the camera using the screw that is fastened to the camera.

**DE** Befestigen Sie das Sicherungsseil mit einem Dübel oder an einem tragfähigen Teil der Deckenstruktur. Befestigen Sie zunächst das Ende, das an der Decke angebracht ist, und sichern Sie dann das andere Ende des Seils, das an der Kamera befestigt wird, mit der mitgelieferten Schraube.

**ES** Fije bien el cable de seguridad a una estructura o punto de anclaje. Fije un extremo del cable de seguridad al techo y, a continuación, fije el otro extremo a la cámara con el tornillo que se introduce en la cámara.

**FR** Attachez solidement le fil de sécurité à un point d'ancrage ou une structure. Une fois que vous avez fixé au plafond l'une des extrémités du fil de sécurité, fixez l'autre extrémité à la caméra à l'aide de la vis qui se trouve sur la caméra.

**IT** Fissare saldamente il cavo di sicurezza a un punto di ancoraggio o a una struttura. Dopo aver fissato un'estremità del cavo di sicurezza al soffitto, fissare l'altra estremità alla telecamera utilizzando la vite assicurata alla telecamera.

**RU** Надежно подсоедините предохранительную проволоку к анкерному креплению или конструкции. Прикрепив один конец предохранительной проволоки к потолку, прикрепите другой конец к камере с помощью винта, установленного на камере.

**TR** Emniyet telini güvenli bir şekilde ankraja veya strüktüre tutturun. Emniyet telinin bir ucunu tavana sabitledikten sonra, kameraya takılan vidayı kullanarak diğer ucu kameraya sabitleyin.

**PL** Należy prawidłowo podłączyć przewód zabezpieczający do kotwy lub konstrukcji. Po zamocowaniu jednego końca przewodu zabezpieczającego do sufitu należy zamocować drugi koniec do kamery, używając śruby przykręconej do kamery.

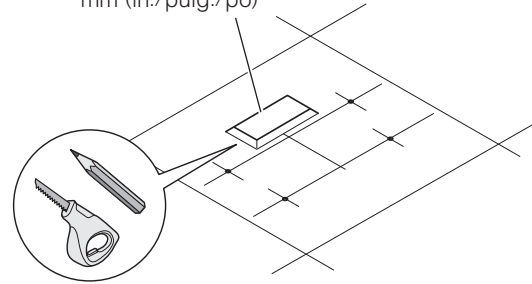
**TH** ติดตั้งสายเซฟตี้เข้ากับตัวยึดหรือโครงสร้างให้แน่นหนา หลังจากยึดปลายสายเซฟตี้ด้านหนึ่งเข้ากับเพดานแล้ว ให้ยึดปลายอีกด้านหนึ่งเข้ากับกล้องโดยใช้สกรูที่ขันเข้ากับตัวกล้อง

**KO** 낙하 방지용 와이어를 앵커나 구조물에 단단히 달아 주십시오. 낙하 방지용 와이어의 한쪽 끝을 천장에 고정 한 후, 카메라에 고정되어 있는 나사로 다른쪽 끝을 카메라에 고정합니다.

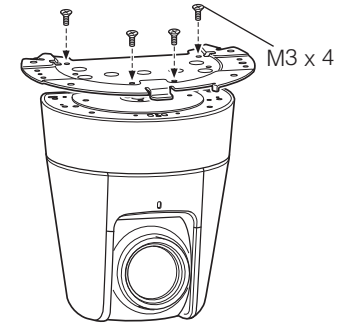
**ZH** 将安全钢丝固定到支撑物或构造物。将安全钢丝的一端固定到天花板上，然后使用拧紧在摄像机上的螺钉将另一端固定到摄像机上。

1

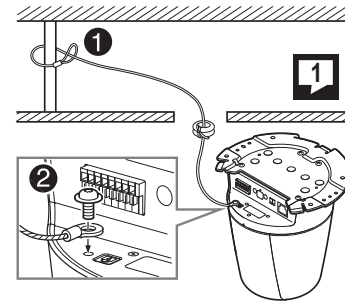
43 x 84 (1.69 x 3.31)  
mm (in./pulg./po)



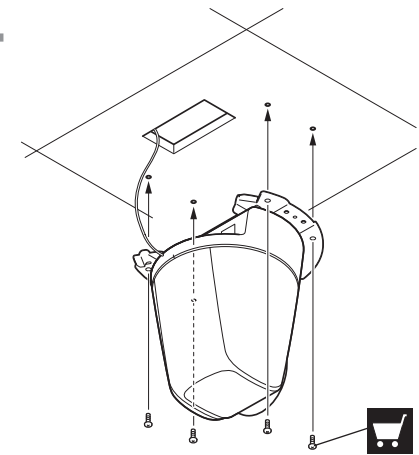
2



3



4



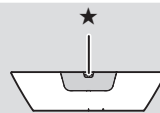
2

**JA** コンクリート天井などでケーブルが天井裏に取まらない場合や、ケーブルが天井取付用カバーに入りきらない場合は、天井取付用カバーの切り欠き部分をニッパーなどで折って、ケーブルを通す切り欠きを作ってください。

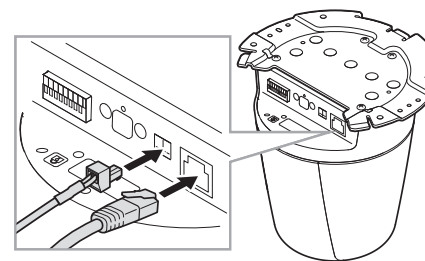
**EN** If the cables cannot be stored above a ceiling made of concrete, etc., or if the cables do not fit within the ceiling mount cover, bend the cutout section of the ceiling mount cover using diagonal pliers, etc., to create a cutout through which to guide the cables.

**DE** Falls die Verkabelung nicht über der Decke verwahrt werden kann (z. B. bei einer Betondecke) oder wenn die Kabel nicht in die Abdeckung für Deckenhalterung passen, biegen Sie das Ausschnittsteil der Abdeckung für Deckenhalterung z. B. mit einem Seitenschneider so, dass ein Ausschnitt entsteht, durch den die Kabel geführt werden können.

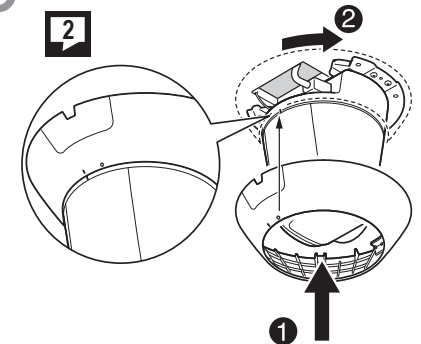
**ES** Si los cables no se pueden guardar sobre un techo de cemento, p. ej., o no se pueden acomodar dentro de la cubierta de montaje en techo, doble la sección de corte de la cubierta con unos alicates diagonales, p. ej., para crear un corte a través del que guiar los cables.



5



6

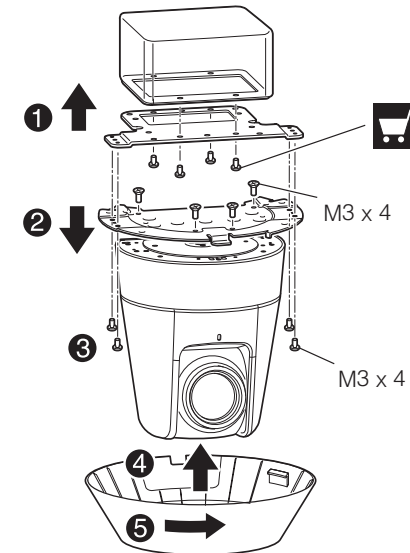




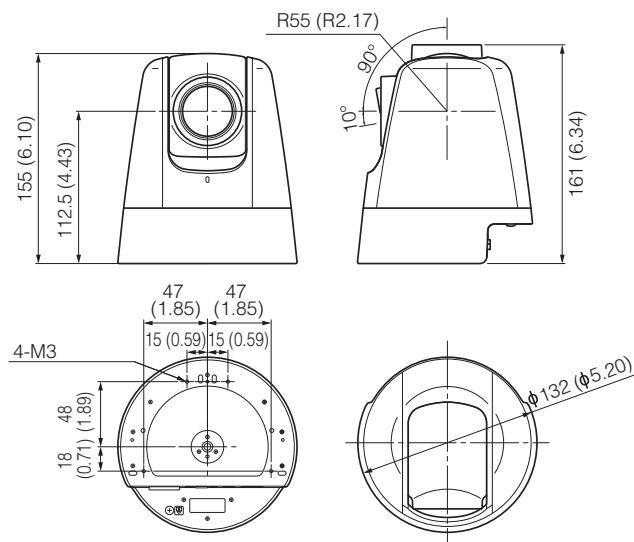
2

- FR** S'il est impossible de placer les câbles au-dessus d'un plafond en béton, par exemple, coupez la section de découpe du boîtier de dôme à l'aide de pinces diagonales afin de créer une découpe qui permettra de faire passer les câbles.
- IT** Se non è possibile ammassare i cavi sopra un soffitto fatto di cemento e così via, o se i cavi non entrano dentro il coperchio per installazione a soffitto, piegare la sezione ritagliata del coperchio per installazione a soffitto utilizzando pinze diagonali e così via, per creare un ritaglio attraverso cui far passare i cavi
- RU** Если кабели нельзя проложить над бетонным потолком или если кабели не умещаются внутри крышки для потолочного монтажа, кусачками отогните отрезную часть крышки для потолочного монтажа, чтобы создать прорезь для прокладки кабелей.
- TR** Kablolar beton dan yapılmış bir tavanın üzerinde saklanamıyorsa, kabloları yönlendirebileceğiniz bir oyuk oluşturmak için diyagonal pense vb. kullanarak tavana monte kapağın kesme bölümünü bükün.
- PL** Jeżeli nie można umieścić kabli powyżej sufitu wykonanego z betonu itp. lub jeśli kable nie mieszczą się w pokrywie mocowania sufitowego, należy wygiąć wyciętą część w pokrywie mocowania sufitowego za pomocą szczypiec itp., aby utworzyć otwór, przez który zostaną przeprowadzone kable.
- TH** หากไม่สามารถเก็บสายเคเบิลไว้บนเพดานที่ทำจากคอนกรีต ฯลฯ ได้ หรือหากสายเคเบิลไม่พอดีกับภายในฝาครอบสำหรับติดตั้งกับเพดาน ให้งอส่วนตัดของฝาครอบสำหรับติดตั้งกับเพดานโดยใช้คีมตัดปากเฉียง ฯลฯ เพื่อเจาะช่องนำสายเคเบิล
- KO** 콘크리트 천장 등에서 케이블이 천장과 지붕 사이의 공간에 들어가지 않는 경우나, 케이블이 천장 장착용 커버에 들어가지 못하는 경우는 천장 장착용 커버의 노치 부분을 니퍼 등으로 접어서 케이블이 통하는 노치를 만들어 주십시오.
- ZH** 如果无法将连接线放入混凝土等材料的天花板上方，或者连接线不适合放入吊顶外罩内，请用斜嘴钳或其他工具弯折吊顶外罩的挖除部分，创建一个可引导连接线通过的挖除口。

- JA** 電工ボックスをご利用の場合は、オプションの天井取付用カバーに同梱の取付金具をお使いください。
- EN** To use the Junction Box, be sure to use the ceiling plate included with the Ceiling Mount Cover (sold separately).
- DE** Wenn Sie die Anschlussdose verwenden, verwenden Sie unbedingt die Deckenplatte, die im Lieferumfang der Abdeckung für Deckenhalterung (separat erhältlich) enthalten ist.
- ES** Para utilizar la caja de empalmes, asegúrese de utilizar la plancha de techo incluida con la cubierta de montaje en techo (se vende por separado).
- FR** Pour utiliser le boîtier de jonction, assurez-vous d'utiliser la plaque de fixation incluse avec le couvercle de support plafond (vendu séparément).
- IT** Per utilizzare la scatola di giunzione, assicurarsi di utilizzare la piastra a soffitto inclusa con il coperchio per installazione a soffitto (venduto separatamente).
- RU** Чтобы использовать клеммную коробку, обязательно используйте потолочную планку, входящую в комплект крышки для потолочного монтажа (продается отдельно).
- TR** Bağlantı Kutusunu kullanmak için Tavana Monte Kapakla (ayrı satılır) birlikte tavan plakasını kullandığımızdan emin olun.
- PL** W przypadku używania skrzynki przyłączeniowej należy zastosować płytę sufitową dołączoną do pokrywy mocowania sufitowego (sprzedawanego oddzielnie).
- TH** ในการใช้กล่องพักสาย ต้องแน่ใจว่าได้ใช้แผ่นติดเพดานที่ใหม่พร้อมกับฝาครอบสำหรับติดตั้งกับเพดาน (แยกจำหน่าย)
- KO** 전공 박스를 이용할 경우는 옵션품인 천장 장착용 커버에 동봉된 장착용 플레이트를 사용해 주십시오.
- ZH** 要使用接线盒，请确保使用吊顶外罩（另购）随附的吊顶板。

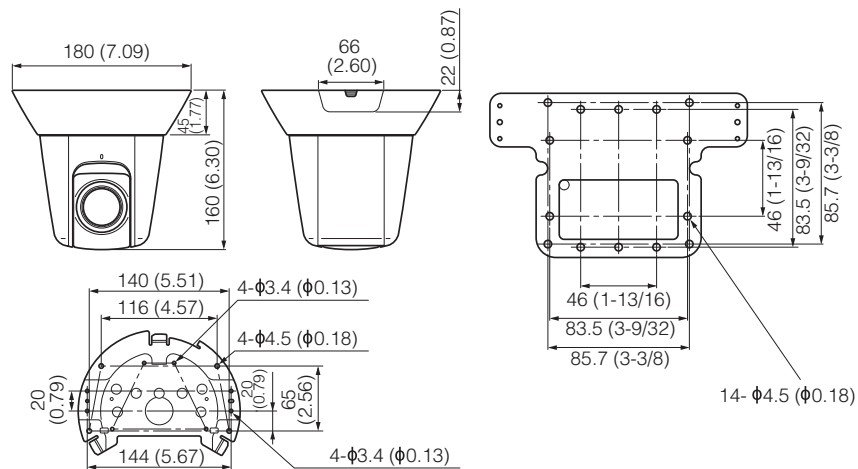


VB-H45/VB-M44



mm (in./pulg./po)

SS40-S-VB/SS40-B-VB



mm (in./pulg./po)

SD

