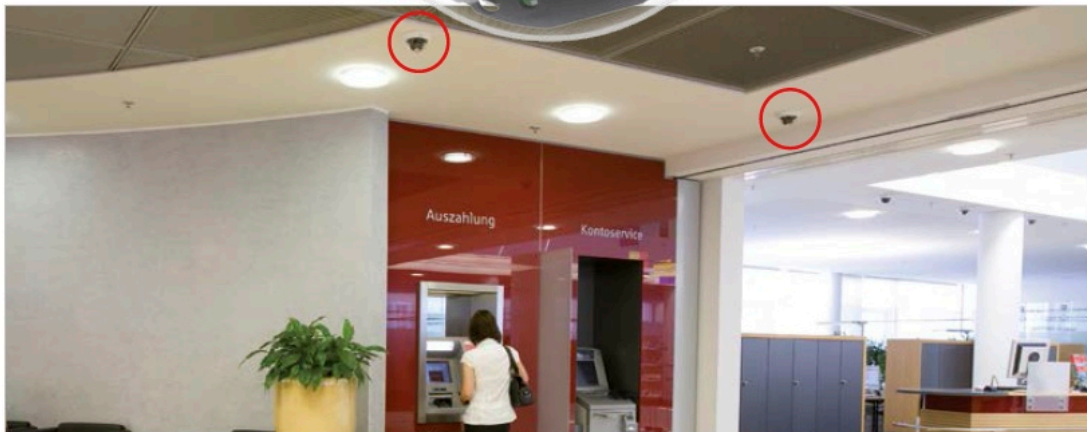


## MOBOTIX D25 6MP Dome Camera



### Traditional Design. Innovative Technology.

Bringing unprecedented technology and video performance to a traditional dome camera form factor. The MOBOTIX D25 offers the same advanced engineering and innovative technology of all the MOBOTIX cameras.

Technical specifications subject to change without notice

**Technical specifications subject to change without notice.** For more information on the D25 and on the entire range of MOBOTIX products, such as prices, manuals, video management software for computers and iOS devices, etc., please go to [www.mobotix.com](http://www.mobotix.com) > **Products**. Or contact us by phone (+49 06302 9816-103) or email ([sales@mobotix.com](mailto:sales@mobotix.com)).



## Traditional Yet Innovative

Beneath the traditional dome interior is a powerful VMS-enabled hardware platform with decentralized recording management and a 6MP image sensor for high-quality video capture.



## In-Ceiling Mount

The in-ceiling mount kit allows the D25 to be mounted into a ceiling tile for a low-profile dome installation that blends into the surrounding environment.



## Vandalism Set

Protect your camera investment with this tough vandalism set comprised of a high-tensile stainless steel outer ring and a 3 mm/0.1 in. polycarbonate dome. All vandalism sets have an IK10 impact rating.



## Intercom Expansion

By combining the D25 with an ExtIO, you can create a powerful 2-way intercom system that integrates seamlessly with your PC, Mac or iOS devices.

## Technical Data

<b>Lens Options</b>	B036 to B237 (L20 to L135)	<b>Min. Light Sensitivity</b>	Day Sensor: 0.1 lux at 1/60 sec Night Sensor: 0.02 lux at 1/60 sec
<b>Image Sensors</b>	1/1.8" CMOS (6MP) Day (Color) or Night (B&W)	<b>Sensor Resolution</b>	6MP: 3072x2048 pixels (Color/B&W)
<b>Max. Frame Rate (MxPEG)</b>	MEGA/HD: 30 fps, QXGA: 15 fps, 6MP: 8 fps	<b>Compression</b>	MxPEG, M-JPEG, JPEG, H.264 (SIP video only)
<b>DVR Recording</b>	Internal: microSD Card External: PC/NAS (to 4 TB)	<b>Audio (ExtIO required)</b>	Integrated microphone & speaker, VoIP, intercom, sound recording via ExtIO
<b>Operating Conditions</b>	IP65/66 and IK09/10 (without/with vandalism kit), -30 to +50 °C	<b>Internal Sensors</b>	Temperature, illumination, shock detector
<b>Image Processing</b>	MxActivitySensor, VMD, image correction, backlight, MxAnalytics	<b>Software (free of charge)</b>	MxManagementCenter, MOBOTIX App



# D25 – Technical Specifications

Security-Vision-Systems **MOBOTIX**



Camera Variants	D25 Day	D25 Night
<b>Lenses, Sensors</b>		
Fisheye Lens MX-B016 (Hemispheric, 180° x 180°)	–	–
Ultra Wide Lens MX-B036 (103° x 77°)	MX-D25-D036	MX-D25-N036
Super Wide Lens MX-B041 (90° x 67°)	MX-D25-D041	MX-D25-N041
Wide Lens MX-B061 (60° x 45°)	MX-D25-D061	MX-D25-N061
Standard Lens MX-B079 (45° x 34°)	MX-D25-D079	MX-D25-N079
Tele Lens MX-B119 (31° x 23°)	MX-D25-D119	MX-D25-N119
Distant Tele Lens MX-B237 (15° x 11°)	MX-D25-D237	MX-D25-N237
Super Tele Lens MX-B500 (8° x 6°)	–	–
CS-Vario Lens MX-B045-100-CS (39°-89° x 29°-65°)	–	–
Camera Module (Body), lens can be orderd separately	MX-D25-BOD1	MX-D25-BOD1-N
Image sensor with individual exposure zones	Color	B/W
Sensor sensitivity in lux at 1/60 s /1 s	0,1/0,005	0,02/0,001
Image sensor resolution (color or BW sensor)	6MP (3072 x 2048)	6MP (3072 x 2048)

Hardware Functions		
Protection class	IP65 and IK09 (IK10 with vandalism set)	IP65 and IK09 (IK10 with vandalism set)
Ambient temperature (range)	-30 to +50°C/-22 to +122°F	-30 to +50°C/-22 to +122°F
Temporary internal DVR	64 MB	64 MB
Internal DVR, ex works	4 GB (microSD)	4 GB (microSD)
Microphone/speaker	With accessory (ExtIO)	With accessory (ExtIO)
Passive infrared sensor (PIR)	–	–
Integrated temperature sensor	•	•
Shock detector	•	•
Power consumption (typical)	< 4,5 watts	< 4,5 watts
Variable PoE class (factory default: 3)	2 or 3	2 or 3
Interfaces Ethernet/MxBus/USB	•/•/•	•/•/•
Interfaces IO and RS232	With accessory (e.g., MX-232-IO-Box)	With accessory (e.g., MX-232-IO-Box)

Image Formats, Frame Rates, Image Storage		
Maximum image format	6MP (3072 x 2048)	6MP (3072 x 2048)
Maximum frame rate (MxPEG, max. resolution)	8 fps (6MP)	8 fps (6MP)
CIF images with 4 GB MicroSD DVR	250,000	250,000
VGA images with 4 GB MicroSD DVR	125,000	125,000
HD images with 4 GB MicroSD DVR	40,000	40,000
QXGA images with 4 GB MicroSD DVR	20,000	20,000

Camera Variants	D25 Day	D25 Night
<b>General Functions</b>		
Digital zoom (continuous) with panning	•	•
Codecs: Motion-JPEG/MxPEG/H.264 for SIP	•/•/•	•/•/•
Programmable exposure zones	•	•
Snapshot recording (pre/post-alarm images)	50	50
Terabyte ring buffer storage (internal/network)	•	•
Continuous recording with sound (0.2 to 30 fps)	•	•
Event recording with sound (via ExtIO)	•	•
Time and event control/flexible event logic	•/•	•/•
Weekly schedules/holidays	•	•
Web functionality (FTP, email)	•	•
Playback/QuadView and MultiView	•/•	•/•
Bidirectional sound in browser (via ExtIO)	•	•
Logo generator, animated	•	•
Master/Slave arming	•	•
Several scheduled privacy zones	•	•
Customized voice messages	•	•
VoIP telephony (audio/video, alert – via ExtIO)	•	•
Remote alarm notification (network message)	•	•
Signal inputs/outputs and RS232 via MxBus module	•	•
Programming interface (HTTP API)	•	•
Security Features (HTTPS/S/L, IP-based access control, IEEE 802.1X network authentication)	•	•
<b>Video Analysis</b>		
Video motion detector	•	•
MxAnalytics	•	•
MxActivitySensor	•	•
<b>Video Management Software</b>		
MxManagementCenter/MxControlCenter/MxEasy	•/•/•	•/•/•
MOBOTIX App (iOS)	•	•

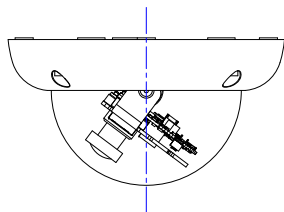
- available ex works
- not available

## Delivered Parts D25

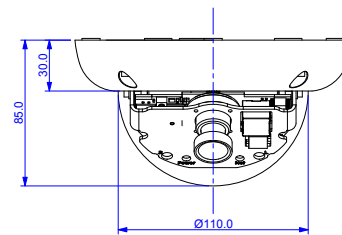


(Excerpt from the technical documentation: [www.mobotix.com](http://www.mobotix.com) > Support > Manuals)

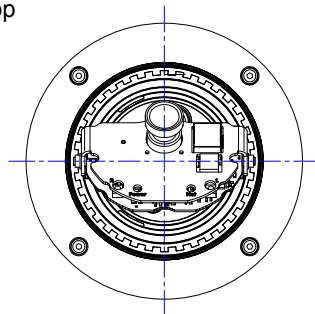
Side



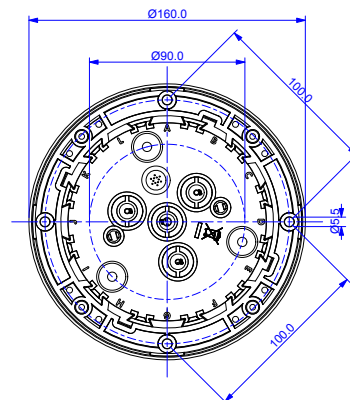
Front



Top



Bottom



(Excerpt from technical drawings and 3D views: [www.mobotix.com](http://www.mobotix.com) > Support > Image Database)

*Outer shell*

*Dome*

*Lens unit*

*Key R*

*Key L*

*LEDs*

*Slot for MicroSD card*

*MiniUSB (e.g. for ExtIO)*

*Network Connection*



**(D25 – Camera housing and connectors, excerpt from the technical documentation)**