

AXIS M11 Network Camera Series

Compact and affordable high-resolution cameras for professional surveillance



- > Excellent image quality
- > Multiple H.264 streams
- > Power over Ethernet
- > Pixel counter
- > Outdoor-ready models

AXIS M11 Series includes both indoor and outdoor-ready fixed cameras, which offer professional and cost-effective fixed cameras suitable for a wide range of video surveillance locations, such as retail stores and service stations, as well as libraries and other buildings.

AXIS M11 Network Camera Series offers excellent image quality, where progressive scan provides crisp and clear images from both illuminated and low-light areas. AXIS M11 Series ranges from SVGA-resolution cameras up to 2-megapixel cameras, which also provide HDTV 1080p video at full frame rate. AXIS M1113 and AXIS M1114 are available in both indoor and "-E" outdoor-ready versions.

Multiple H.264 streams, as well as Motion JPEG streams, can be provided at full frame rate, or each stream can be

individually optimized for different quality requirements and bandwidth constraints.

Power over Ethernet supplies power to the camera via the network, eliminating the need for power cables and reducing installation costs. The outdoor-ready models are made of UV resistant polymer.

AXIS M11 Network Camera Series includes cameras with fix focal and varifocal lenses to suit varying coverage.



Compact and affordable high-resolution camera for professional surveillance

AXIS M11 Network Cameras are specially designed for easy and discreet surveillance, making them ideal for a wide range of professional applications.

Power over Ethernet

The cameras are powered with Power over Ethernet (PoE, IEEE 802.3af standard) using a PoE-enabled switch or midspan over the same standard cable that transmits video. PoE provides multiple benefits, including reduced installation costs and flexibility in camera placement. In addition, the cameras can get centralized backup power which will ensure that the cameras will continue to operate even in the event of a power failure.

Reliable video surveillance systems

AXIS M11 offer support for edge storage that enables recording video directly to a storage device such as a microSD/microSDHC card, thereby creating a more robust, reliable and flexible video surveillance system. The cameras can record video locally when the central system is not available, or continuously record in parallel. Missing video clips are later retrieved and merged with the central storage, thereby ensuring seamless, uninterrupted video recordings.

Axis Corridor Format

The unique Axis Corridor Format allows getting a vertically oriented, "portrait"-shaped video stream from the camera. The video is adapted perfectly to the monitored area, maximizing image quality while eliminating bandwidth and storage waste.

Unique pixel counter feature



The pixel counter offered in AXIS M11 cameras allows the installer to easily verify that the camera installation fulfills any regulatory or specific customer requirements, for example, calculating the pixel resolution of the face of a person passing a doorway monitored by the camera.

P-Iris control

AXIS M1145 features the advanced precise iris control for optimal depth of field, resolution, image contrast and clarity. Good depth of field implies that objects at different distances from the camera are in focus simultaneously. For more on P-Iris and iris control, go to: http://www.axis.com/corporate/corp/tech_papers.htm

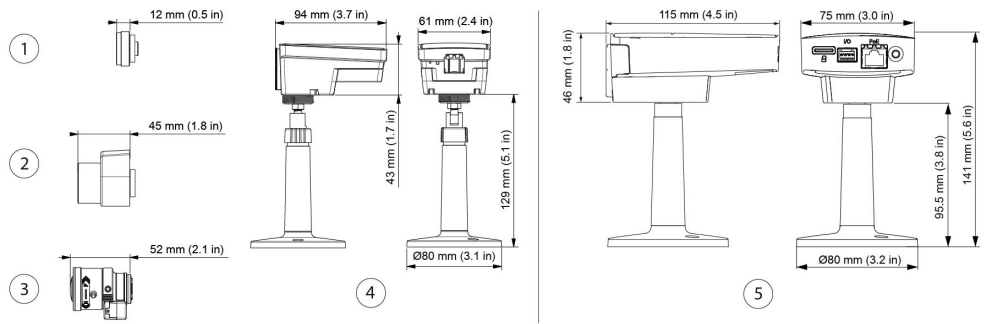
Model Specifications – AXIS M11 Network Camera Series

	Resolution	CS mount	DC iris	P Iris	Edge storage	Day and night	IR LEDs	I/O	Remote Zoom & Focus
AXIS M1103	SVGA	✓							
AXIS M1104	1 MP/720p	✓							
AXIS M1113	SVGA	✓	✓						
AXIS M1113-E	SVGA	✓	✓						
AXIS M1114	1 MP/720p	✓	✓						
AXIS M1114-E	1 MP/720p	✓	✓						
AXIS M1144-L	1 MP/720p		✓		✓	✓	✓	✓	
AXIS M1145	2 MP/1080p			✓	✓	✓		✓	✓
AXIS M1145-L	2 MP/1080p			✓	✓	✓	✓	✓	✓

For more details, see datasheet for AXIS M11-L Network Camera Series.

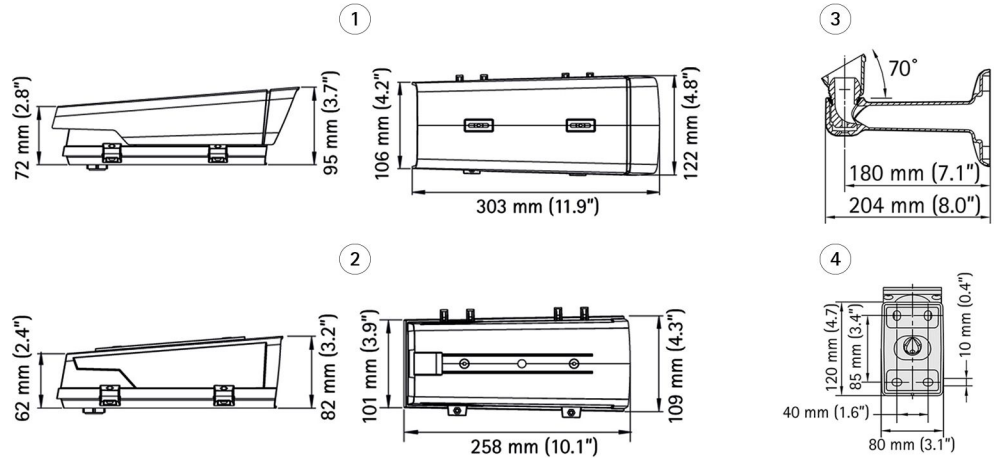
Dimensions - AXIS M11 Network Cameras

1. AXIS M1103/M1104 2.8 mm lens
2. AXIS M1113 lens
3. AXIS M1114 lens
4. AXIS M1103/M1104/M1113/M1114
5. AXIS M1145



Dimensions - AXIS M11-E Network Cameras

1. With sunshield
2. Without sunshield
3. Wall bracket with internal cable channel
4. Rear view of wall bracket with internal cable channel



Optional Accessories

1. Axis Mounts
2. Axis Housings & Cabinet
3. Axis Midspans
4. Axis Illuminators
5. Lenses (Not valid for AXIS M1145)
6. Scan for a complete list of accessories www.axis.com/products/cam_acc/



Technical Specifications - AXIS M11 Network Camera Series

Models	AXIS M1103: Fixed focal lens: SVGA resolution AXIS M1104: Fixed focal lens: 1 MP/HDTV 720p AXIS M1113/-E: Varifocal, DC-iris lens: SVGA resolution AXIS M1114/-E: Varifocal, DC-iris lens: 1 MP/HDTV 720p AXIS M1145: Varifocal, P-Iris lens: 2 MP/HDTV 1080p
Camera	
Image sensor	AXIS M1103/M1104/M1113/M1114: Progressive scan RGB CMOS 1/4" AXIS M1145: Progressive scan RGB CMOS 1/2.9"
Lens	Fixed iris, CS mount AXIS M1103 2.8 mm: 66° view ^a , F2.0 AXIS M1104 2.8 mm: 80° view ^a , F2.0 DC-iris, CS mount AXIS M1113: Varifocal 2.9–8.2 mm: 65°–25° view ^a , F1.4 AXIS M1114: Varifocal 2.8–8 mm: 77°–29° view ^a , F1.2 AXIS M1113-E: Varifocal 2.9–8.2 mm: 65°–25° view ^a , F1.4 AXIS M1114-E: Varifocal 2.8–8 mm: 77°–29° view ^a , F1.2 P-Iris, Board mount AXIS M1145: Varifocal 3–10.5 mm: 95°–34° view ^a , F1.4 remote focus/zoom, built-in IR-cut filter
Minimum illumination	AXIS M1103/M1104 2.8 mm: 1.0–100000 lux, F2.0 AXIS M1113/-E: 0.6 lux, F1.4 AXIS M1114/-E: 0.6 lux, F1.2 AXIS M1145: Color 0.4 lux, B/W: 0.08 lux, F1.4
Shutter time	AXIS M1103/M1104/M1113/M1113-E/M1114/M1114-E: Power line frequency 50 Hz: 1/8000 s to 1/6 s Power line frequency 60 Hz: 1/8000 s to 1/6 s AXIS M1145: Power line frequency 50 Hz: 1/28000 s to 2 s Power line frequency 60 Hz: 1/33500 s to 2 s
Video	
Video compression	AXIS M1103/M1104/M1113/M1113-E/M1114/M1114-E: H.264 Baseline Profile (MPEG-4 Part 10/AVC), Motion JPEG AXIS M1145: H.264 Main and Baseline Profile (MPEG-4 Part 10/AVC), Motion JPEG
Resolutions	AXIS M1103/M1113/-E: 800x600 to 160x90 AXIS M1104/M1114/-E: 1280x800 ^b to 160x90 AXIS M1145: 1920x1080 to 352x240
Frame rate	H.264: 30 fps in all resolutions Motion JPEG: 30 fps in all resolutions
Video streaming	Multiple, individually configurable streams in H.264 and Motion JPEG Controllable frame rate and bandwidth VBR/CBR H.264
Pan/Tilt/Zoom	Digital PTZ
Image settings	Compression, Color, Brightness, Sharpness, Contrast, Whitebalance, Backlightcompensation, Mirroring of images, Rotation – including Corridor Format, Text and imageoverlay, Privacy mask Rotation: 0°, 90°, 180°, 270° AXIS M1145: Wide Dynamic Range - Dynamic Contrast, Exposure control, Exposure zones, Fine tuning of behavior at low light
Network	
Security	Password protection, IP address filtering, HTTPS ^c encryption, IEEE 802.1X ^c network access control, Digest authentication, User access log
Supported protocols	IPv4/v6, HTTP, HTTPS ^c , SSL/TLS ^c , QoS Layer 3 DiffServ, FTP, CIFS/SMB, SMTP, Bonjour, UPnP [™] , SNMP v1/v2c/v3 (MIB-II), DNS, DynDNS, NTP, RTSP, RTP, TCP, UDP, IGMP, RTCP, ICMP, DHCP, ARP, SOCKS
System integration	
Application Programming Interface	Open API for software integration, including VAPIX [®] and AXIS Camera Application Platform, specifications at www.axis.com AXIS Video Hosting System (AVHS) with One-Click Camera Connection ONVIF Profile S, specification at www.onvif.org
Intelligent video	Video motion detection, Active tampering alarm
Event triggers	Intelligent video, Edge storage events, External input, Time scheduled
Event actions	File upload via FTP, HTTP and network share Email Notification via email, HTTP and TCP Pre- and post-alarm video buffering External output activation, Video recording to edge storage, Go to PTZ preset, Guard tour
Data streaming	Event data
Built-in installation aids	Pixel counter
General	
Casing	Color: White NCS S 1002-B AXIS M1103/M1104/M1113: Aluminum and plastic AXIS M1145: Aluminium and PC/Siloxane, 42% recycled plastic AXIS M1113-E/M1114-E: IP66-rated acrylate enclosure
Memory	AXIS M1103/M1104/M1113/M1113-E/M1114/M1114-E: 128 MB RAM, 128 MB Flash AXIS M1145: 256 MB RAM, 128 MB Flash
Power	Power over Ethernet IEEE 802.3af Class 1
Connectors	RJ45 10BASE-T/100BASE-TX PoE AXIS M1145: 1 alarm input and 1 output
Edge storage	Support for recording to network-share (network-attached storage or file server) AXIS M1145: microSD/microSDHC/microSDXC slot supporting memory card up to 64 GB (card not included)
Operating conditions	AXIS M1103/M1104/M1113/M1114: -20 °C to 50 °C (-4 °F to 122 °F), Humidity 20–80% RH (non-condensing) AXIS M1145: 0 °C to 50 °C (32 °F to 122 °F), Humidity 20–80% RH (non-condensing) AXIS M1113-E/M1114-E: -20 °C to 50 °C (-4 °F to 122 °F), Humidity 15–100% RH (condensing)
Approvals	EN 55022 Class B, EN 61000-6-1, EN 61000-6-2, EN 61000-3-2, EN 61000-3-3, EN 55024, FCC Part 15 Subpart B Class B, ICES-003 Class B, VCCI Class B, C-tick AS/NZS CISPR 22 Class B, KCC KN22 Class B, KN24, IEC/EN/UL 60950-1 AXIS M1145: EN 50581
Weight	AXIS M1103/AXIS M1104: 170 g (0.37 lb) AXIS M1113: 200 g (0.44 lb) AXIS M1114: 210 g (0.46 lb) AXIS M1145: 250 g (0.55 lb) AXIS M1113-E: 780 g (1.72 lb) AXIS M1114-E: 790 g (1.74 lb)
Included accessories	Installation Guide, Installation and Management Software CD, Windows decoder 1-user license AXIS M1103/M1104/M1113/M1114/M1145: Stand AXIS M1113-E/M1114-E: Wall bracket, Sunshield, Desiccant bag
Video management software	AXIS Camera Companion (included), AXIS Camera Station and video management software from Axis' Application Development Partners (not included). For more information, see www.axis.com/products/video/software
Warranty	Axis 1-year warranty and AXIS Extended Warranty option, see www.axis.com/warranty

a. Horizontal Angle of View

b. 1440x900 (1.3 MP) scaled resolution available via VAPIX[®]

c. This product includes software developed by the OpenSSL Project for use in the OpenSSL Toolkit (<http://www.openssl.org/>), and cryptographic software written by Eric Young (ey@cryptsoft.com).

More information is available at www.axis.com