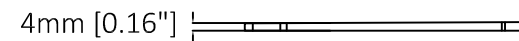
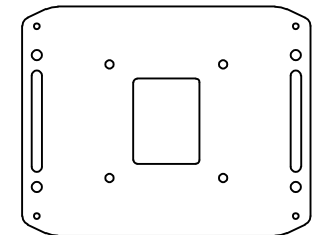
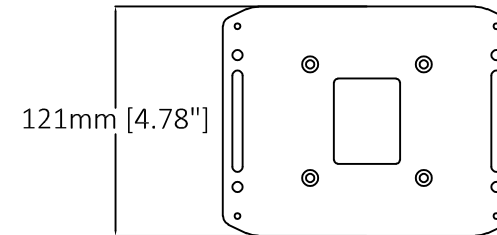
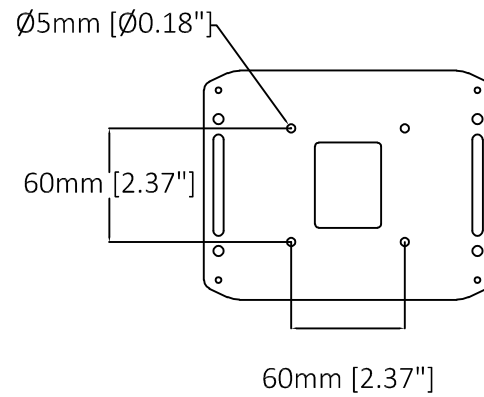
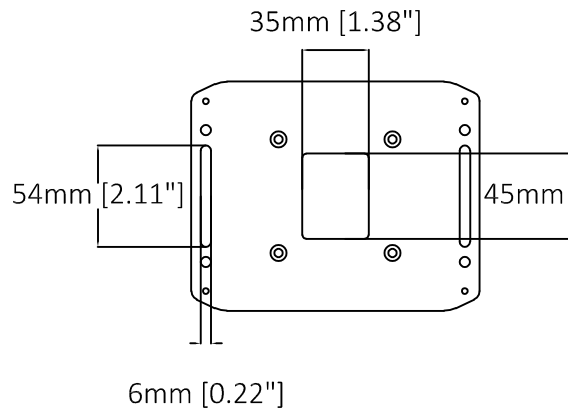


153mm [6.01"]



AXIS F8001 Surface Mount with Strain Relief

Revision	v.01	Revision date	2018-02-27
Paper size	A4	Release date	2015-10-17
Created by	JOT	Scale	1:4