

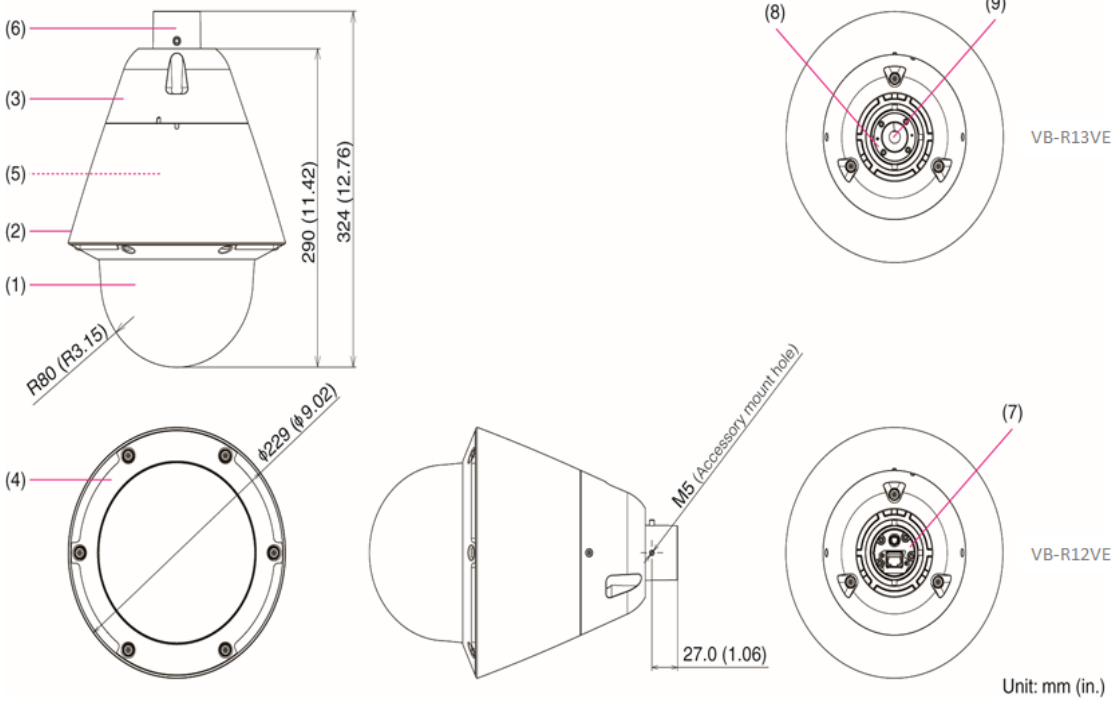
Camera Specifications

External Views/Specification & Materials

Network Camera

VB-R13VE/12VE

The exterior size, specifications, external materials, are as follows.



Specification

Dimensions	(ϕ x H) $\phi 229 \times 324$ mm ($\phi 9.02 \times 12.76$ in.) – Camera only
Weight	ZB087A ZB087B
	Approx. 3530 g (7.79 lb.) Approx. 3420 g (7.54 lb.)

External Materials

Component Name	Material Abbreviation
(1) COVER, DOME	Polycarbonate resin (PC)
(2) COVER, SUNSHADE	Polycarbonate resin (PC)
(3) COVER, SUNSHADE COVER	Polycarbonate resin (PC)
(4) CASE, TOP	Die cast aluminum (ADC12)
(5) CASE, BOTTOM (Inside the sunshade cover)	Die cast aluminum (ADC12)
(6) CASE, ATTACHMENT	Die cast aluminum (ADC12)
(7) CASE, POE HOLDER	Polycarbonate resin (PC)
(8) PLATE, CABLE PACKING	Stainless steel plate (SUS304)
(9) PACKING, CABLE	Silicone rubber
External Color	Titanium White

– Service parts names used for component names