

# SONY

IPELA



**IPELA**  
INTEGRATED VISUAL COMMUNICATION

**SNC-RX550P**  
Network Camera

[www.sonybiz.net/nvm](http://www.sonybiz.net/nvm)



# SNC-RX550P



The High-Performance Network Camera With 360 Degree Endless Rotation Delivers Efficient 24/7 Monitoring Operation – Anytime, Anywhere, Anyplace.

Sony introduces a new addition to its Network Camera line-up, the SNC-RX550P Network Dome Camera combines the latest image processing technology to provide multiple compression formats and advanced functionality with speed dome capabilities and a 26x Optical Zoom.

This camera can freely and endlessly rotate 360 degrees, allowing users to monitor the area surrounding the camera without interruption. In addition, equipped with a powerful 26x optical zoom, the camera allows users to zoom in on small or distant objects with exceptional clarity. Designed for 24/7 operation, the SNC-RX550P incorporates a Day/Night function, providing clear images even in 0.15 lx lighting conditions. And, using advanced image processing technology, the camera provides three compression formats; JPEG, MPEG-4, and H.264, so that users can choose the appropriate compression format to match their network environment and monitoring applications. The SNC-RX550P also includes a newly-developed “Dual Encoding Capability” to allow simultaneous streaming in JPEG and MPEG-4, further improving workflow and utilisation of resources.

Combining other intelligent features, such as Intelligent Object Detection and Intelligent Motion Detection into its stylish body, the SNC-RX550P is the right choice for a wide variety of surveillance and monitoring applications.



## Features

### 360-degree Endless Pan/Tilt/Zoom Capability

The SNC-RX550P has a high-speed 360° endless panning (or rotation) capability and a tilt range of 90°, which allows users to precisely monitor almost any object surrounding the camera. Also, with its powerful 26x optical zoom (312x with digital zoom), users can zoom in on small or distant objects with exceptional clarity.

### High-Quality Images and High Sensitivity

Employing the latest 1/4-type Exwave HAD™ CCD, the SNC-RX550P delivers exceptional picture quality for your remote monitoring applications. And, with a minimum illumination level of 1.0 lx at F 1.6 in colour, the camera captures high-contrast images even in low-light conditions.

### Selectable JPEG, MPEG-4, H.264 Compression Formats

The SNC-RX550P supports three compression formats, JPEG, MPEG-4, and H.264. MPEG-4 provides clear moving images efficiently over networks even with limited network bandwidth. For higher compression, when bandwidth is even more limited, H.264, which achieves two times more compression than MPEG-4, is available. If high quality still images are preferred, then the industry standard JPEG compression format is selectable. The image size can be selected from three modes to meet your network environment and application requirements.

### Image Stabiliser

The image stabiliser function minimises the appearance of shaky images caused by low-frequency vibration so that stable and sharp images are provided. This function is useful for outdoor surveillance and traffic monitoring applications.

## Anti-tampering Function\*

Incorporating a digital signature technology using Public Key Infrastructure (PKI), the SNC-RX550P allows users to verify the origin of images and ensure the integrity of images against tampering. This is done by creating a digital certificate for each camera manufactured and applying digital signatures in the form of metadata to all images produced by that camera; this combination assures that an image produced by a camera is unique to that camera.

\* This function is available with a software upgrade. For more details, please consult your nearest Sony dealer.

## Day/Night Function

The SNC-RX550P offers a Day/Night function to provide optimised sensitivity in both day and night environments. As the scene darkens, the infrared cut filter is automatically replaced with a clear filter and the camera switches to B/W mode, requiring a minimum illumination of less than 0.15 lx. In this mode, the camera is also sensitive to near IR illuminators, allowing it to operate even in 0.15 lx conditions.

## Alarm Functions

### Intelligent Motion Detection

The SNC-RX550P is equipped with a built-in intelligent motion detection function that can trigger a variety of actions such as storing and transferring images or that can trigger an external device through its output relays. Unlike with conventional motion detection, the SNC-RX550P utilises the last 15 frames to calculate motion detection information and to trigger the alarm when motion is detected. This prevents unwanted noise components from accidentally triggering an alarm, providing more accurate detection and reducing the number of false triggers.

### Dual Encoding Capability

The SNC-RX550P is equipped with a dual encoding capability that enables the camera to generate both MPEG-4 and JPEG images simultaneously. For example, you can set up your system to transfer MPEG-4 images over a WAN or an Internet VPN, where network bandwidth is limited, while storing high-resolution JPEG images on a server configured on the LAN.

### Intelligent Object Detection\*

The SNC-RX550P can detect objects that have been left in one place for a specified duration. Up to four detection areas can be designated. This feature can be useful for applications such as detecting suspicious objects left in public spaces, or for detecting stalled cars or accidents on the road.

\* The intelligent object detection function and intelligent motion detection function cannot be used simultaneously.

### Sensor in/Alarm out

Equipped with two sensor inputs, the SNC-RX550P can receive triggers from external sensors. Also, two alarm outputs can be used to trigger other devices to perform a variety of actions.

### Pre-/Post-Alarm Image Storage

The SNC-RX550P is capable of storing both pre-and post-alarm images on removable media such as ATA memory cards and Memory Stick™ media when an alarm is triggered.

### Image Transfer Using FTP/SMTP\*

All of the pre-/post-alarm images stored at the time of an alarm event can be transferred to an FTP server for later viewing. Also, a still image at the time of an alarm event can be sent to a designated e-mail address.

\* All images transferred using SMTP are in JPEG format.

## Network Features

### Simultaneous Access

Up to 20 users can simultaneously access the SNC-RX550P and monitor images separately.

### Multicasting Capability

The SNC-RX550P has a built-in multicasting capability for MPEG-4 and H.264 video. When configured with a multicast router, the unit can efficiently stream video and audio to a large number of users.

## Network Security Features

### IP Filtering

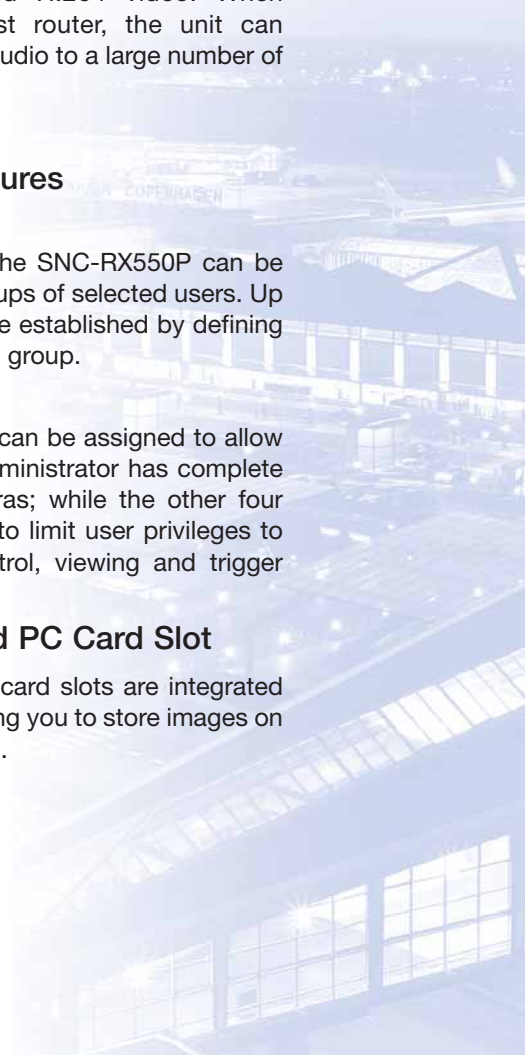
With IP filtering, access to the SNC-RX550P can be restricted to one or more groups of selected users. Up to ten different groups can be established by defining an IP address range for each group.

### Password Protection

User names and passwords can be assigned to allow five levels of access. The administrator has complete access/control of the cameras; while the other four levels of access can be set to limit user privileges to functions such as PTZ control, viewing and trigger control.

### Memory Stick Slot and PC Card Slot

Both Memory Stick and PC card slots are integrated into the SNC-RX550P, enabling you to store images on removable media as required.







## Wireless Capability

The SNC-RX550P supports the IEEE802.11b compliant SNCA-CFW1 Wireless LAN Card when used in combination with a Compact Flash™ Type PC card adaptor. This type of wireless configuration can save both time and money during installation. In addition, the optional SNCA-AN1 External Antenna enables the transmission of wireless signal over a longer distance.

## Bi-Directional Audio

Incorporating an external microphone input, the SNC-RX550P allows for audio as well as video monitoring. Users can pick up the desired sound from the preferred location. This unit is also equipped with a speaker output, enabling users to send an alert or make an announcement, significantly expanding the possibilities for remote monitoring applications. With a Voice Alert function, you can play back an audio file using an alarm trigger or the scheduling function.

## Colour Variation

Users can choose from two body colours, black or white, depending on the installation requirements of the site.

## Analogue Composite Video Output

The SNC-RX550P can output an analogue composite video signal via the BNC connector on the unit's rear panel. This feature is ideal for outputting image data to a local recording device or monitor.

## RS-232C Interface

### Transparency Function

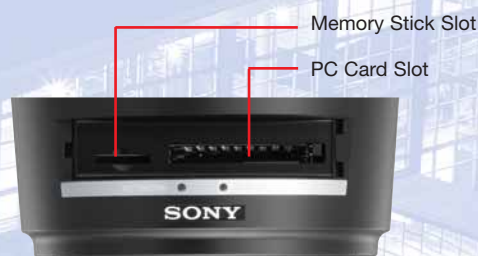
The SNC-RX550P has a transparency function available via the RS-232C interface. External equipment can be connected and controlled by a PC connected to the network on which the SNC-RX550P resides.

### VISCA™ Protocol

The SNC-RX550P can interface with external control equipment using the Sony VISCA protocol. This configuration allows for local control of Pan/Tilt/Zoom and for camera settings.

## User-Friendly GUI

The SNC-RX550P has a user-friendly GUI accessible via a PC running the Microsoft® Internet Explorer® browser software. Setup is very easy with intuitive icons and pull-down menus. Directly pointing to and clicking on any part of the monitor image in the viewer will pan and tilt the camera so that the selected point is centred. Also, selecting an area on the image by holding down the left mouse button and dragging the mouse diagonally will enlarge and centre the selected area in the monitor.



Intuitive GUI Operation

(simulated images)

# IPELA

Business is changing. The vision of integrated visual communication is becoming a reality with Sony IPELA – A suite of intelligent IP-based Network Video Monitoring and videoconferencing products and solutions.

Sony IPELA utilises the rapidly expanding global IP broadband network and advanced high-resolution imaging technology to offer visual communications systems that enable customers to realise the Sony vision for the work place of the future, where better business decisions are made as a result of enhanced, real-time person-to-person and location-to-location communication.

Sony IPELA Network Video Monitoring solutions offer cost benefits and flexibility in the applications of Security, CCTV Surveillance, Remote Monitoring and Leisure. Complete solutions offer customers a choice of IP cameras, Network Video Recorders and Management Software.

## Reality

- High Frame Rate (25 fps\*)
- High Sensitivity (Minimum illumination 0.15 lx)
- High Picture Quality with Dynamic Frame Integration

\* Max depending upon camera set-up

▶ **Great picture quality, even in low light**

## Intelligence

- Intelligent Object Detection
- Intelligent Motion Detection
- Anti-Tampering Function

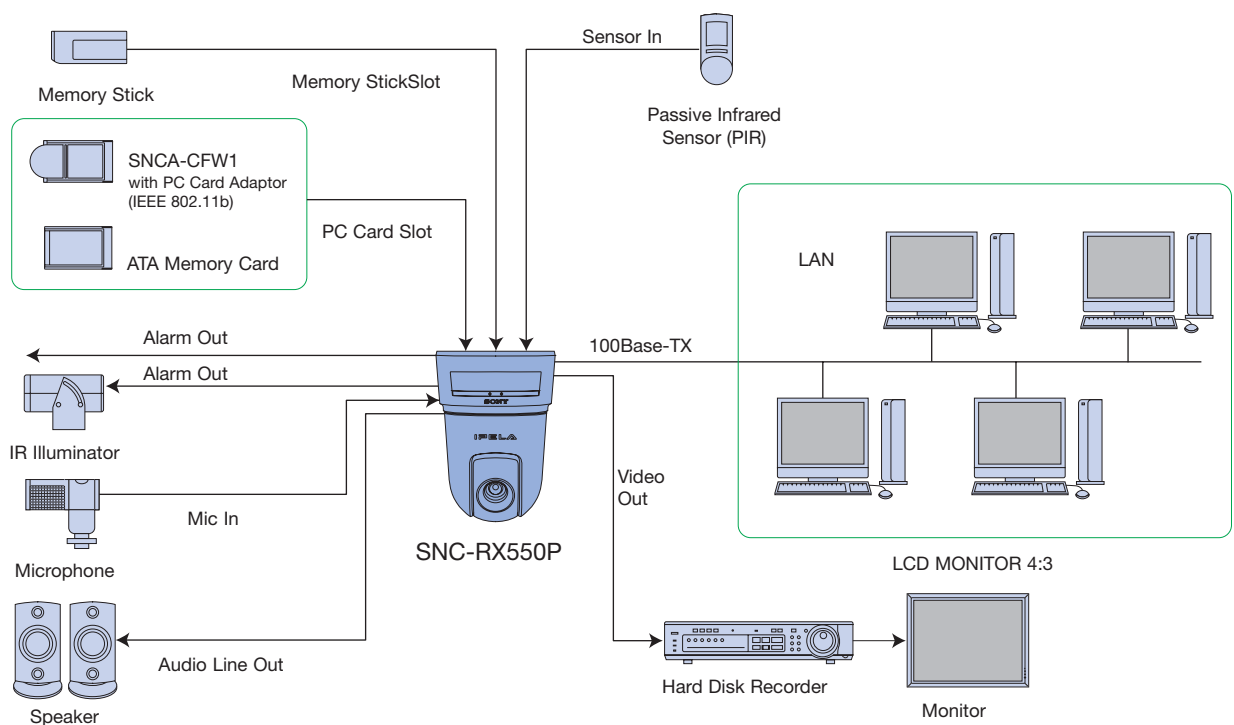
▶ **Your applications are enhanced by technology**

## Usability

- JPEG, MPEG-4, H.264 Compression Formats
- Dual Encoding Capability
- User-Friendly GUI

▶ **Flexible and user-friendly**

## System Configuration



# SNC-RX550P Specifications

Camera	
Image device	1/4-type Exwave HAD CCD
Number of effective pixels	440,000 (752 x 582)
Electronic shutter	1 to 1/10,000 s
Gain control	Auto/Manual (-3 dB to +28 dB)
Exposure control	Auto (Full auto, Shutter-priority, Iris-priority), Manual, EV compensation, Backlight compensation
White balance mode	Auto, Indoor, Outdoor, One-push auto, ATW/Manual
Lens type	Auto-focus zoom lens
Zoom ratio	26x optical zoom (312x with digital zoom)
*vignetting may occur at wide viewing angles under low light conditions	
Horizontal viewing angle	2.2 to 54.2 degrees
Focal length	f=3.5 to 91.0 mm
F-number	F1.6 (wide), F3.8 (tele)
Minimum object distance	320 mm (wide), 1,500 mm (tele)
Pan angle	360 degrees endless rotation
Pan speed	300 degrees/s (max.)
Tilt angle	-90 to 0 degrees
Tilt speed	300 degrees/s (max.)
Other functions	Day/Night, Advanced Video Motion Detection, Unattended Object Detection, Anti-tampering, Image stabiliser, Position preset

Image	
Image size (H x V)	640 x 480, 320 x 240, 160 x 120 (JPEG, MPEG-4, H.264)
Compression format	JPEG, MPEG-4, H.264
Maximum frame rate	
JPEG/MPEG-4	25 fps (640 x 480)
H.264	8 fps (640 x 480)

Audio	
Audio compression	G.726/G.711 (40, 32, 24, 16 Kb/s)

Network	
Protocols	TCP/IP, HTTP, ARP, ICMP, FTP, SMTP, DHCP, SNMP, DNS, NTP
Number of clients	20

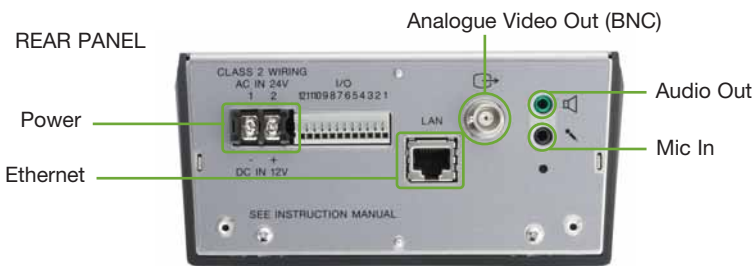
Interface	
Ethernet	10Base-T/100Base-TX (RJ-45)
Serial interface	RS-232C (Transparency function or VISCA protocol)
Card slots	PC card x1, Memory Stick x1
Analogue video output	BNC x1, 1.0 Vp-p, 75 Ω
External microphone input	Mini-jack (monaural, 2.2 KΩ, 2.5 V plug-in power)
Audio line output	Mini-jack (monaural), max output level: 1 Vrms

Analogue video output	
Signal system	PAL (Composite)
Horizontal resolution	460 TV lines
S/N ratio	50 dB
Min. illumination	Colour: 1 lx (50IRE, F1.6, AGC ON), B/W: 0.15 lx (50IRE, F1.6, AGC ON)

General	
Mass	2.2 kg (4 lb 13 oz)
Dimensions (W x H x D)	160 x 160 x 230 mm (6 3/8 x 6 3/8 x 9 1/8 inches)
Body colour	SNC-RW550P/B: Black / SNC-RW550P/W: White
Power requirements	AC 24 V/DC 12 V
Power consumption	25 W max.
Operating temperature	0 °C to 50 °C (32 °F to 122 °F)
Storage temperature	-20 °C to 60 °C (-4 °F to 140 °F)

Supplied accessories	
Ceiling-mount bracket (A), Ceiling-mount bracket (B), Screws x6, Wire rope, CD-ROM (setup software), Operation manual, Installation manual	

System requirements	
Operating system	Microsoft® Windows® 2000/XP
Processor	CPU: Intel® Pentium® IV 1.5 GHz or higher
Memory	RAM: 256 MB or more
Web browser	Microsoft Internet Explorer® Ver.5.5 or 6.0



DIMENSIONS Unit: mm (inches)



## OPTIONAL ACCESSORIES



Notes: You should keep in mind that the images or audio you are monitoring may be protected by privacy and other legal rights, and the responsibility for making sure you are complying with applicable laws is yours alone. Access to the images and audio is protected only by a user name and the password you set up. No further authentication is provided nor should you presume that any other protective filtering is done by the service. Since the service is Internet-based, there is a risk that the image or audio you are monitoring can be viewed or used by a third-party via the network.

© 2006 Sony Corporation. All rights reserved. Reproduction in whole or in part without written permission is prohibited. Features and specifications are subject to change without notice. All non-metric weights and measurements are approximate. Some images in this catalog are simulated. Sony is a registered trademark of Sony Corporation. IPELA, Exwave HAD, Memory Stick, and VISCA are trademarks of Sony Corporation. All other trademarks are the property of their respective owners.

CA SNC-RX550P/GB- / /2006

www.sonybiz.net/nvm

SONY