



NETWORK CAMERA

Quick Guide

PNV-A9082RZ/PNV-A7082RZ
PND-A9082RV/PND-A7082RV
PNO-A9092R/PNO-A9082R/PNO-A7082R



Important

Please check 'Manuals' from our website, before connecting to the Supply,
<https://www.hanwhavision.com/en/download-data/>

Warranty

Please check "Product warranty information" from our website.
<https://www.hanwhavision.com/en/support/warranty/>

Videos processed by surveillance equipment cannot be accessed arbitrarily by the manufacturer.

We recommend to use the officially compatible VMS version or latest Hanwha NVR version when integrating with VMS or Hanwha NVR.



Hanwha Vision cares for the environment at all product manufacturing stages, and is taking measures to provide customers with more environmentally friendly products.

The Eco mark represents Hanwha Vision's devotion to creating environmentally friendly products, and indicates that the product satisfies the EU RoHS Directive.



Correct Disposal of This Product (Waste Electrical & Electronic Equipment)

(Applicable in the European Union and other European countries with separate collection systems)

This marking on the product, accessories or literature indicates that the product and its electronic accessories (e.g. charger, headset, USB cable) should not be disposed of with other household waste at the end of their working life. To prevent possible harm to the environment or human health from uncontrolled waste disposal, please separate these items from other types of waste and recycle them responsibly to promote the sustainable reuse of material resources.

Household users should contact either the retailer where they purchased this product, or their local government office, for details of where and how they can take these items for environmentally safe recycling.

Business users should contact their supplier and check the terms and conditions of the purchase contract.

This product and its electronic accessories should not be mixed with other commercial wastes for disposal.



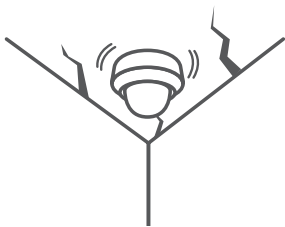
Correct disposal of batteries in this product

(Applicable in the European Union and other European countries with separate battery return systems.)

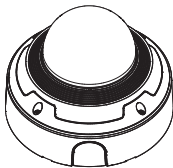
This marking on the battery, manual or packaging indicates that the batteries in this product should not be disposed of with other household waste at the end of their working life. Where marked, the chemical symbols Hg, Cd or Pb indicate that the battery contains mercury, cadmium or lead above the reference levels in EC Directive 2006/66. If batteries are not properly disposed of, these substances can cause harm to human health or the environment.

To protect natural resources and to promote material reuse, please separate batteries from other types of waste and recycle them through your local, free battery return system.

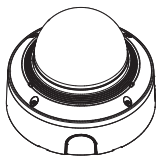
SAFETY INFORMATION



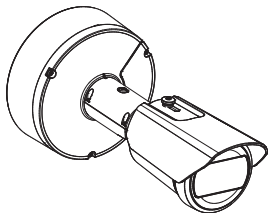
Vandal Dome Camera
PNV-A9082RZ/PNV-A7082RZ



Dome Camera
PND-A9082RV/PND-A7082RV



Bullet Camera
PNO-A9092R/PNO-A9082R/PNO-A7082R

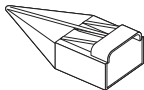
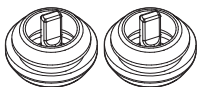
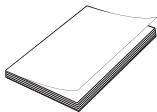
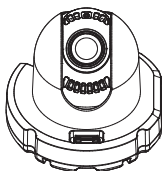
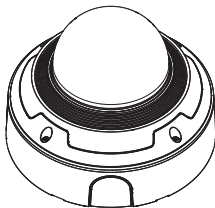


COMPONENT

As for each sales country, accessories are not the same.

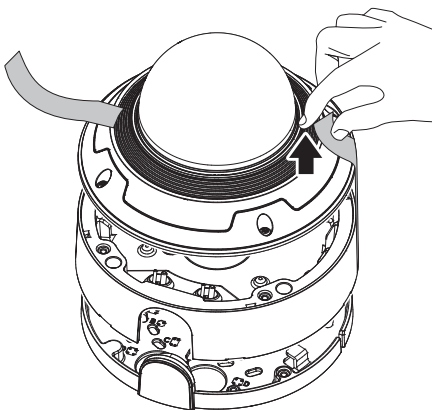
- PNV-A9082RZ/PNV-A7082RZ

* The shape of the module may differ depending on the model names.

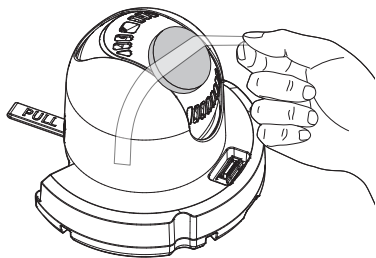


INSTALLATION

1



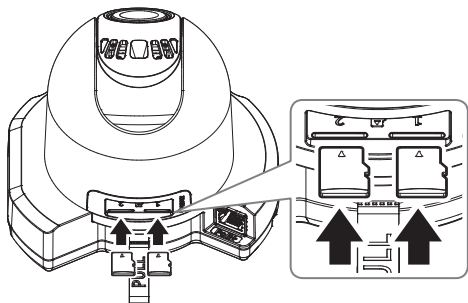
2



INSTALLATION

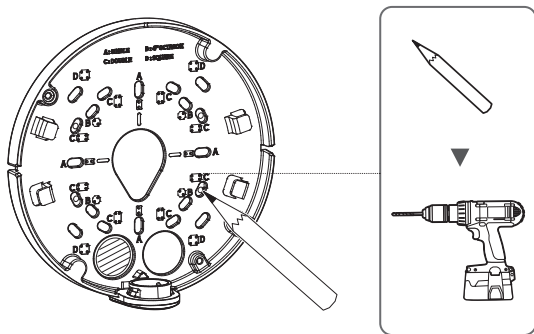
3

- Not Included : Micro SD Card



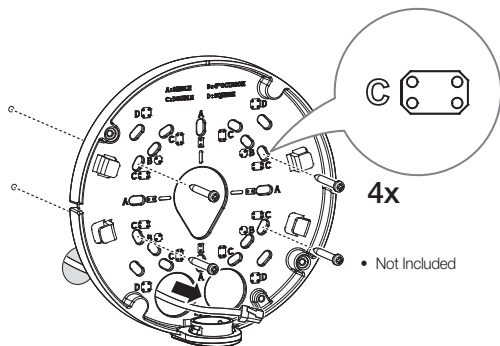
4-1

- Directly installing on wall/ceiling



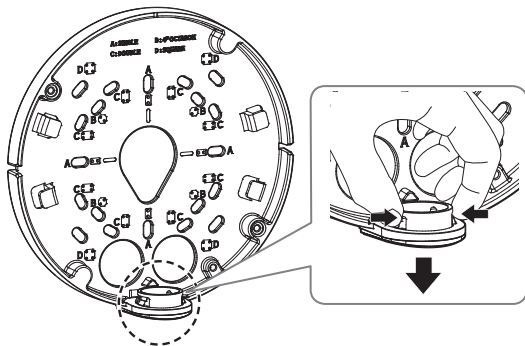
INSTALLATION

4-2



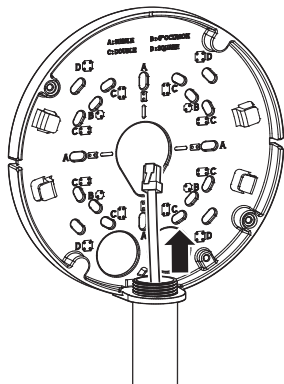
5-1

• Installing using pipe



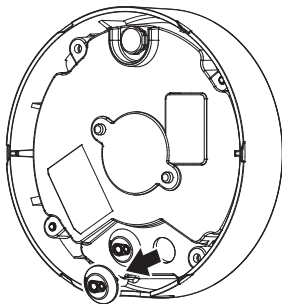
INSTALLATION

5-2



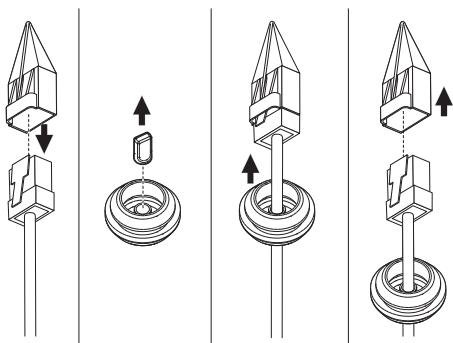
6-1

- Installing network cable (PNV-A9082RZ/PNV-A7082RZ: IP66/IP67)

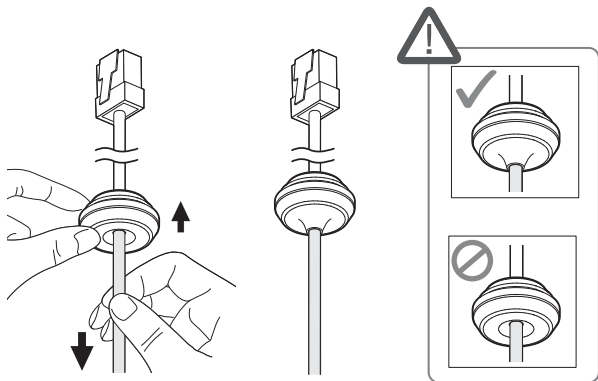


INSTALLATION

6-2

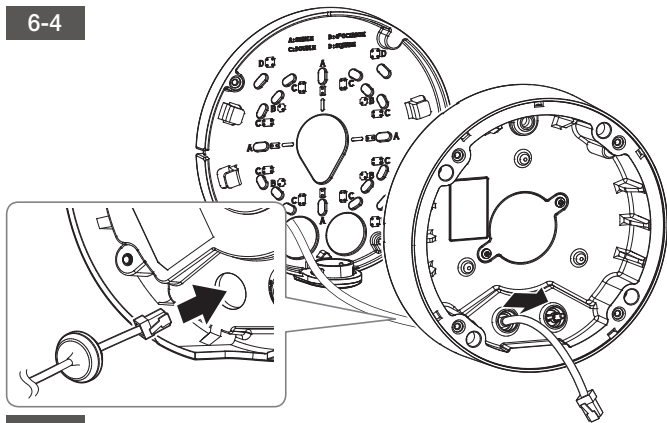


6-3

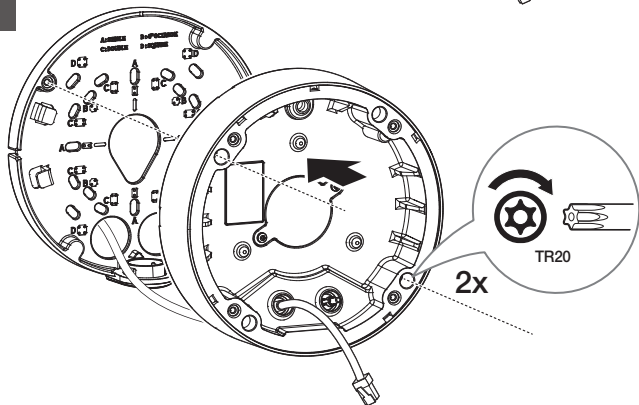


INSTALLATION

6-4

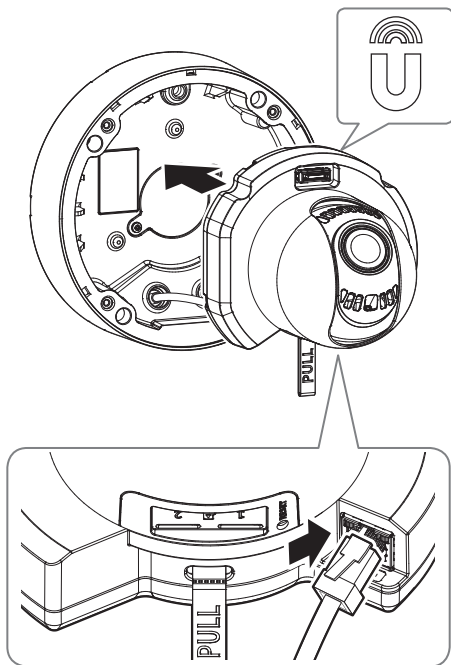


7



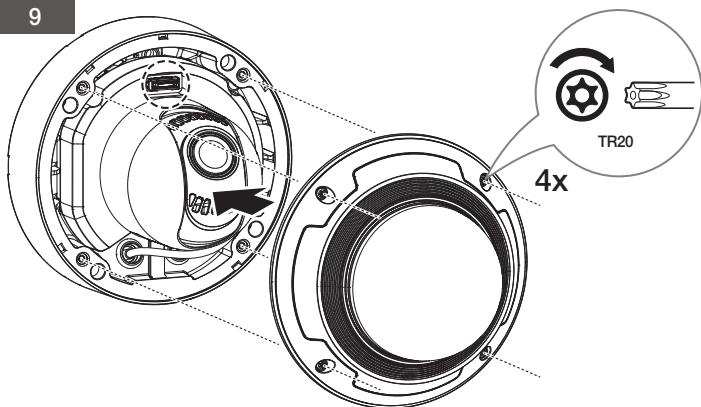
INSTALLATION

8

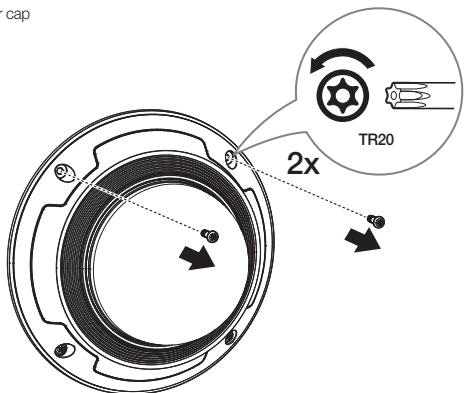


INSTALLATION

9

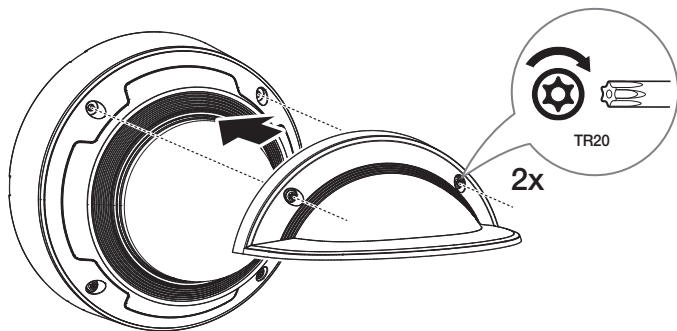


10-1 • Using Weather cap

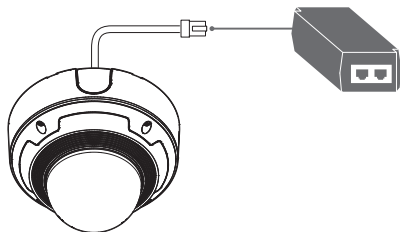


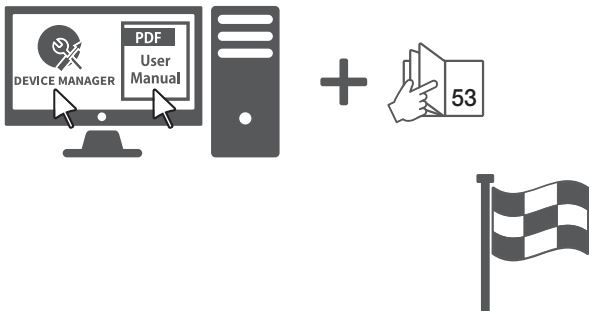
INSTALLATION

10-2



11



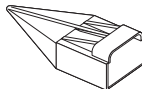
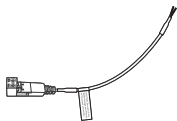
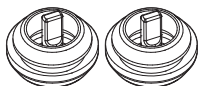
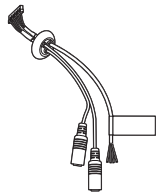
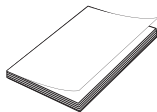
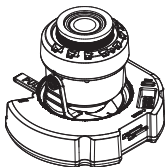
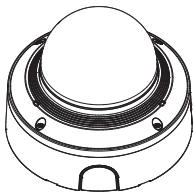


COMPONENT

As for each sales country, accessories are not the same.

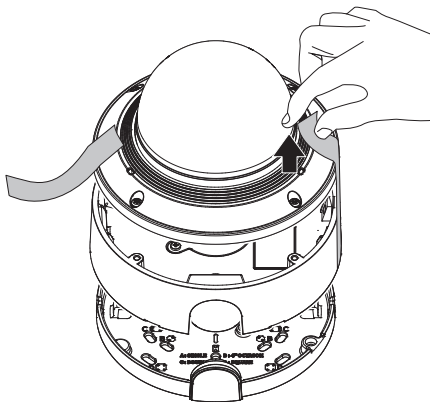
- PND-A9082RV/PND-A7082RV

* The shape of the module may differ depending on the model names.

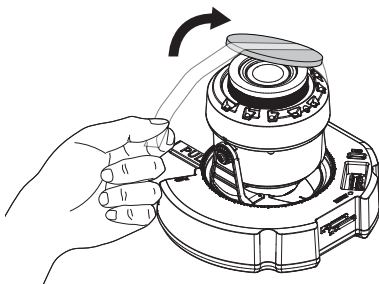


INSTALLATION

1



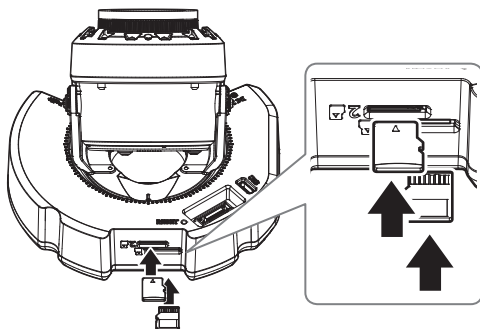
2



INSTALLATION

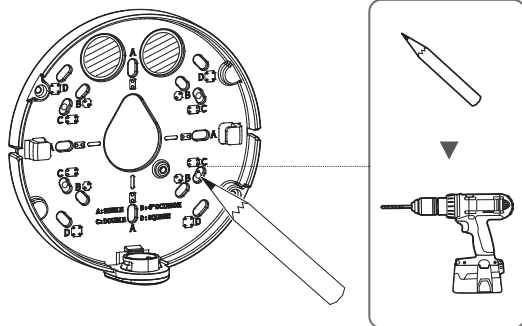
3

- Not Included : Micro SD Card



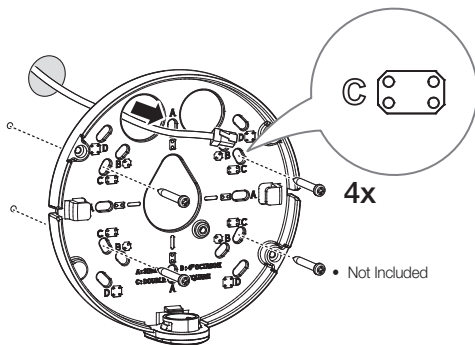
4-1

- Directly installing on wall/ceiling



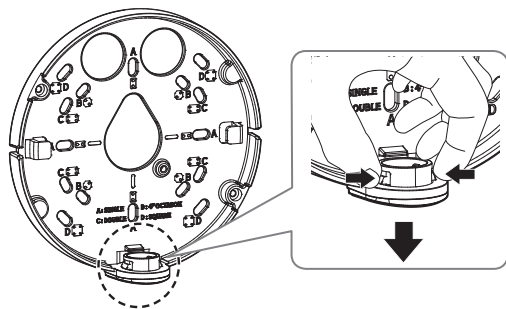
INSTALLATION

4-2



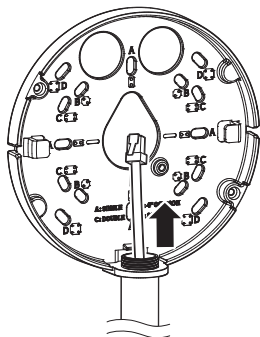
5-1

• Installing using pipe

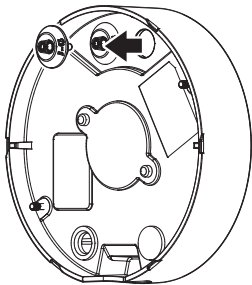


INSTALLATION

5-2

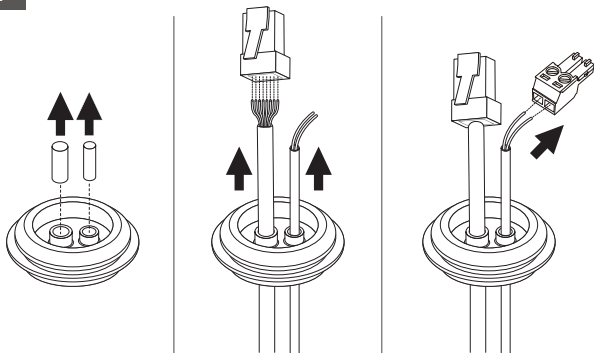


6-1 • Installing network/power cables

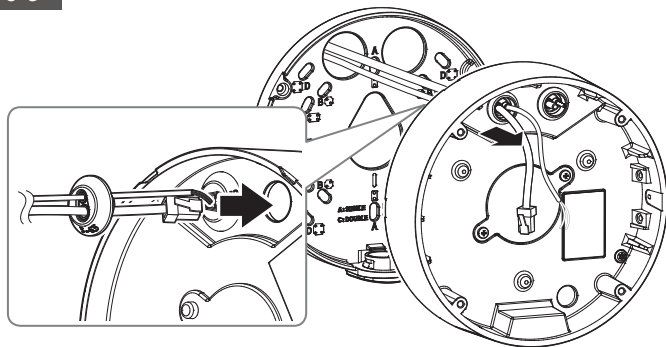


INSTALLATION

6-2



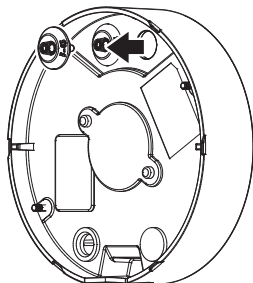
6-3



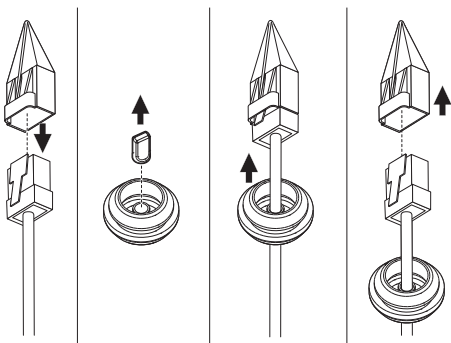
INSTALLATION

7-1

- Installing network cable

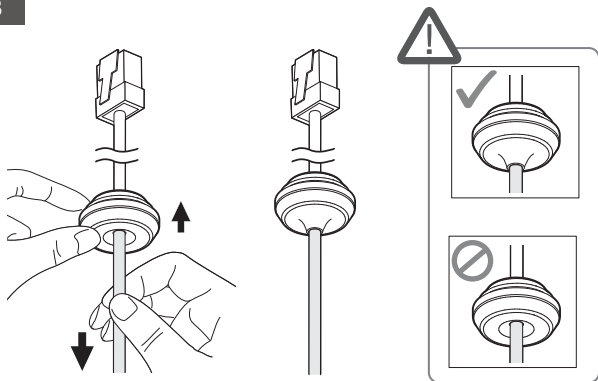


7-2

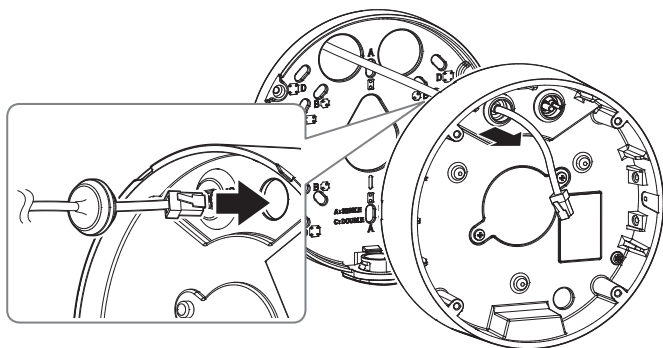


INSTALLATION

7-3



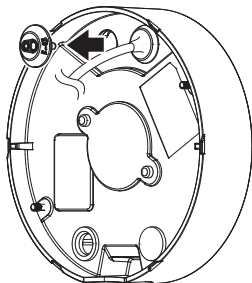
7-4



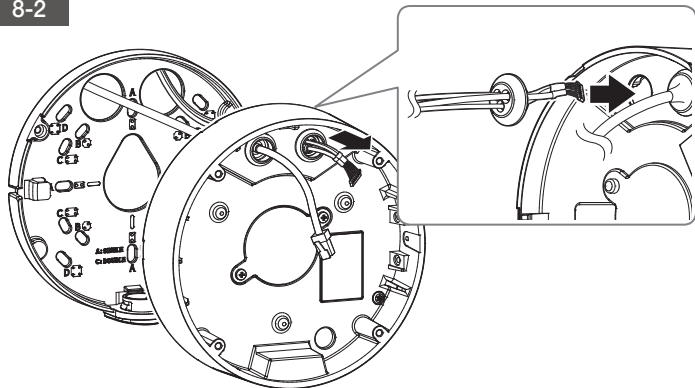
INSTALLATION

8-1

- Installing audio/alarm cables

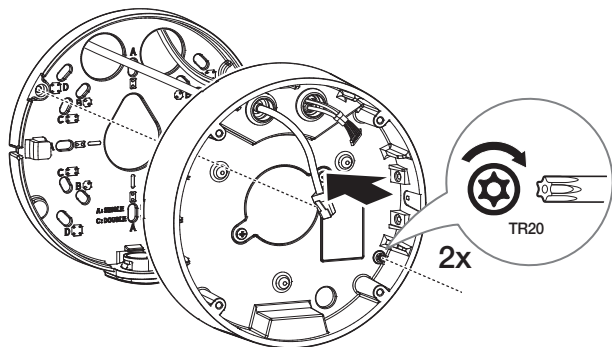


8-2



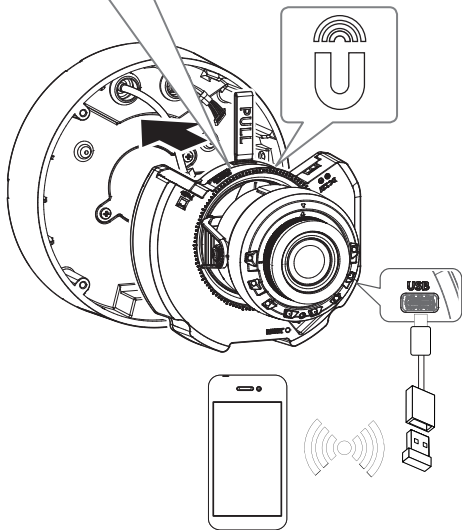
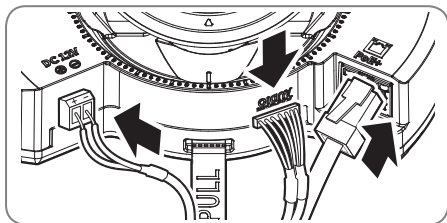
INSTALLATION

9



INSTALLATION

10

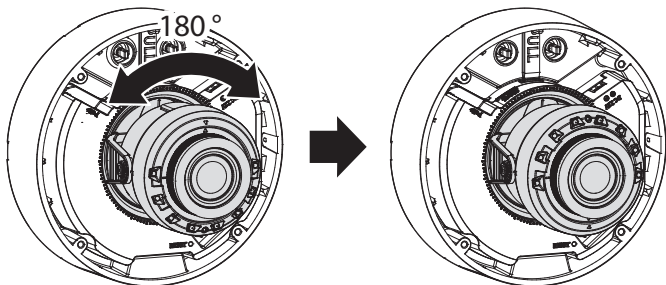




INSTALLATION

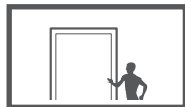
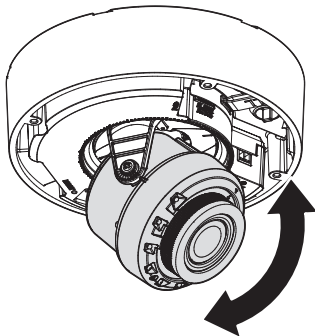


- When installing on the wall

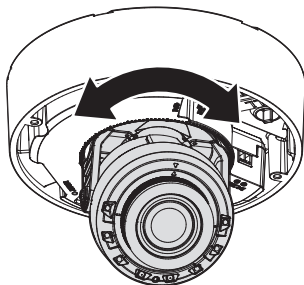


INSTALLATION

- 12-1 • When installing on the ceiling

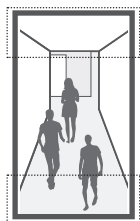
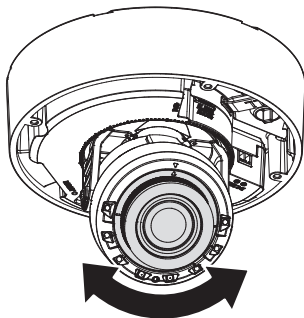


- 12-2

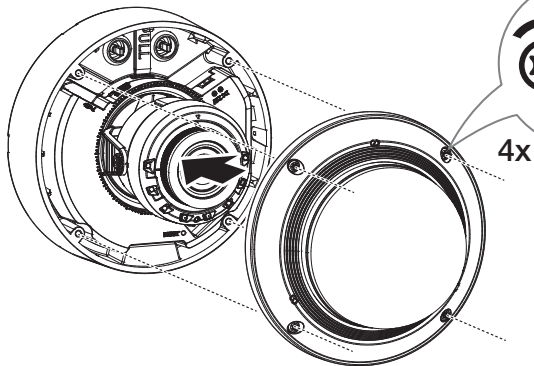


INSTALLATION

12-3

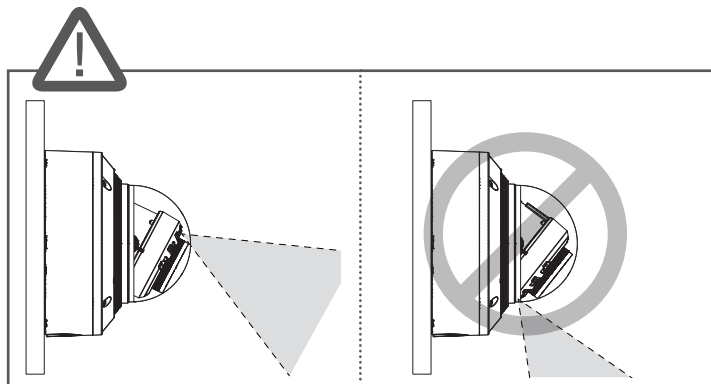
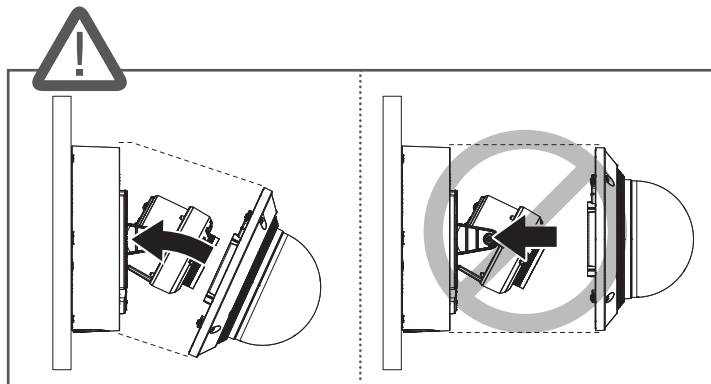


13



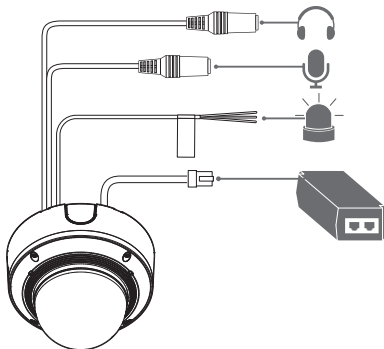
30

INSTALLATION

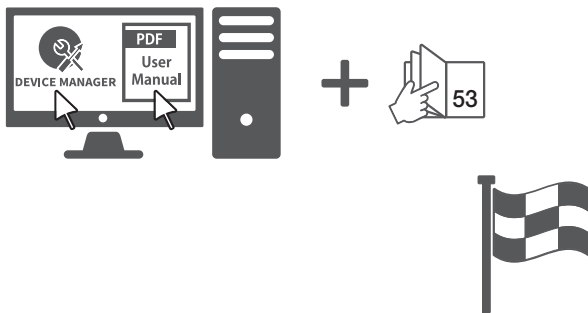


INSTALLATION

14



15

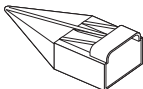
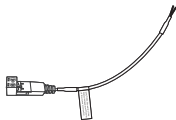
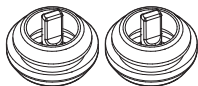
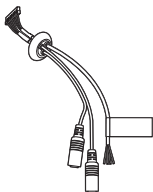
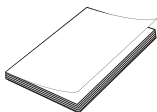
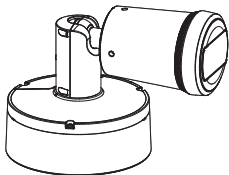


COMPONENT

As for each sales country, accessories are not the same.

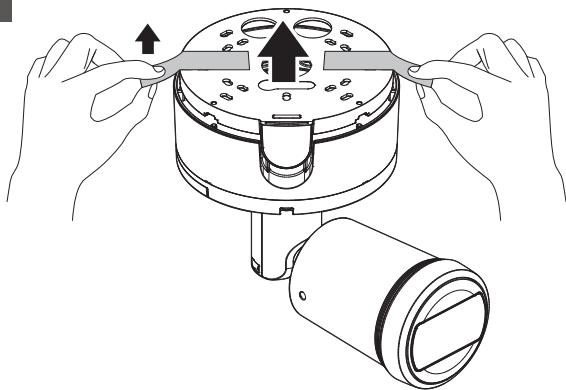
- PNO-A9092R/PNO-A9082R/PNO-A7082R

* The shape of the camera lens may differ depending on the model names.

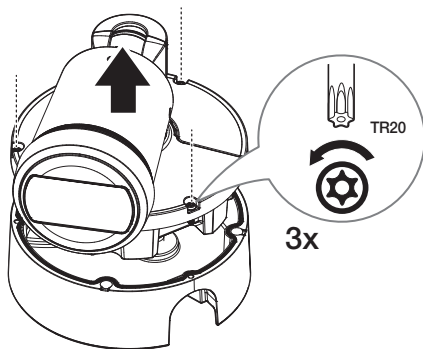


INSTALLATION

1



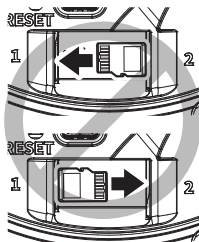
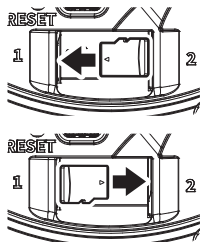
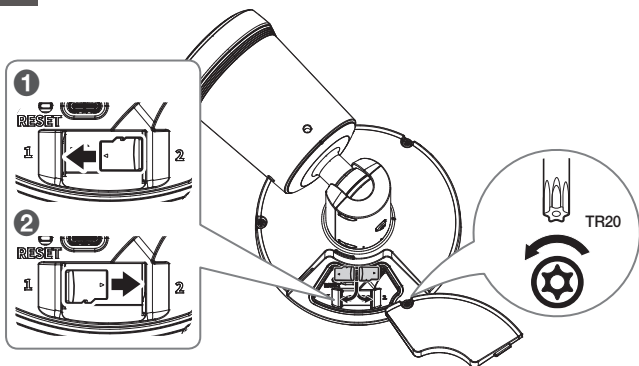
2



INSTALLATION

3

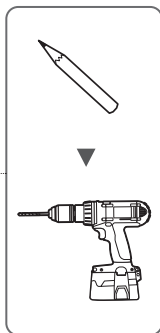
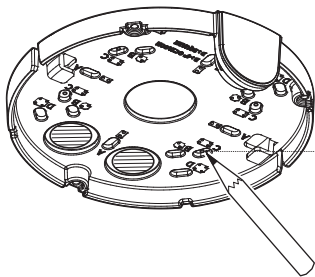
• Not Included : Micro SD Card



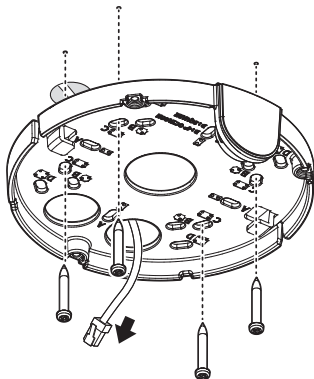
INSTALLATION

4-1

- Directly installing on wall/ceiling



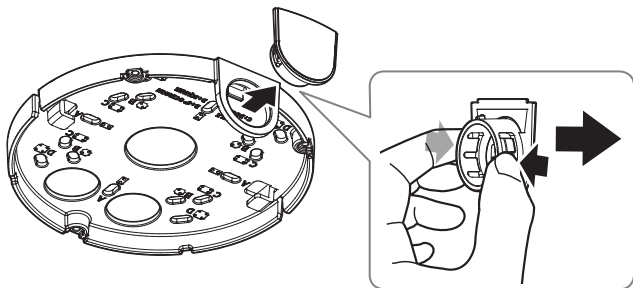
4-2



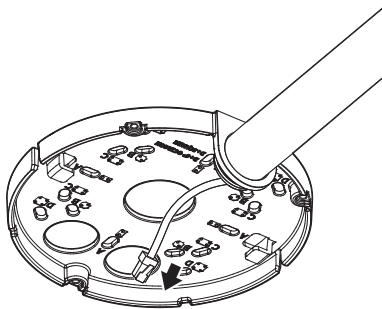
INSTALLATION

5-1

- Installing using pipe



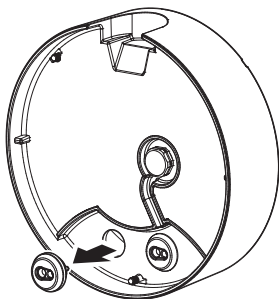
5-2



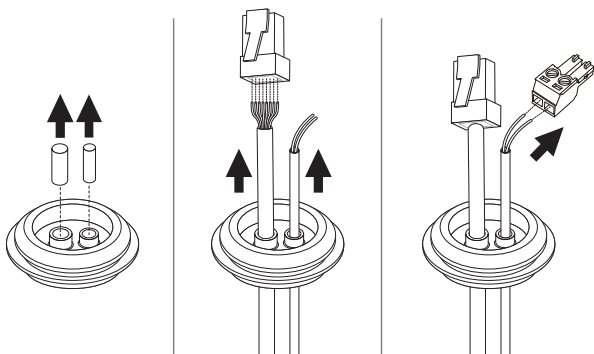
INSTALLATION

6-1

- Installing network/power cables

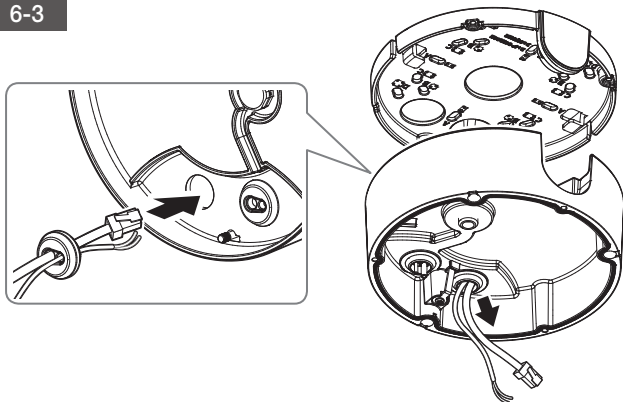


6-2



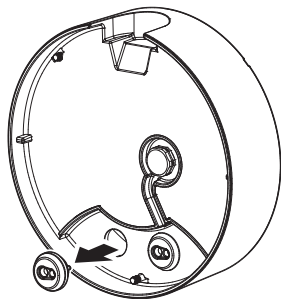
INSTALLATION

6-3



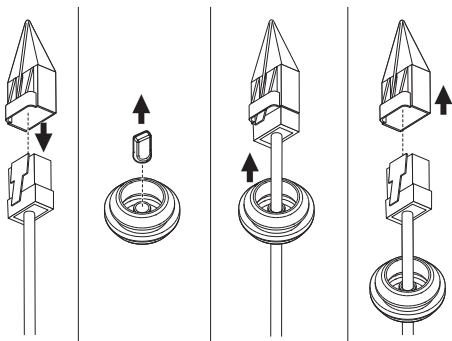
7-1

- Installing network cable (PNO-A9092R/PNO-A9082R/PNO-A7082R: IP66/IP67)

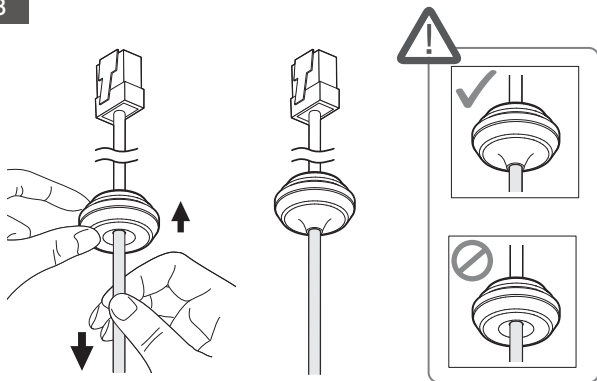


INSTALLATION

7-2

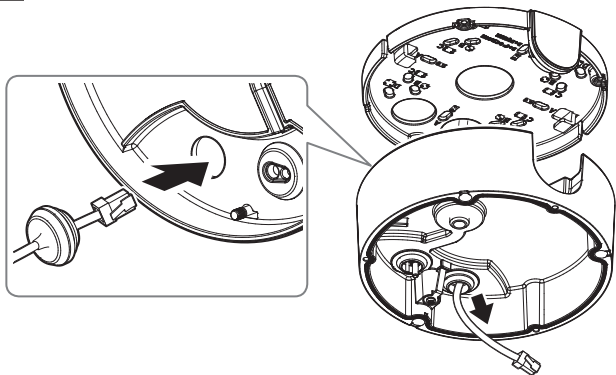


7-3



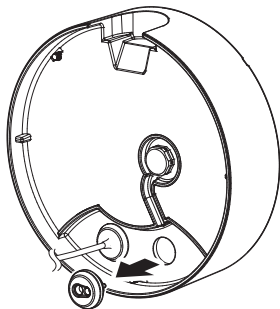
INSTALLATION

7-4



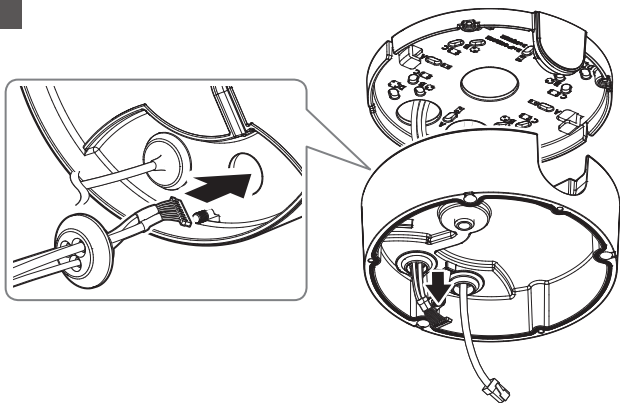
8-1

- Installing audio/alarm cables

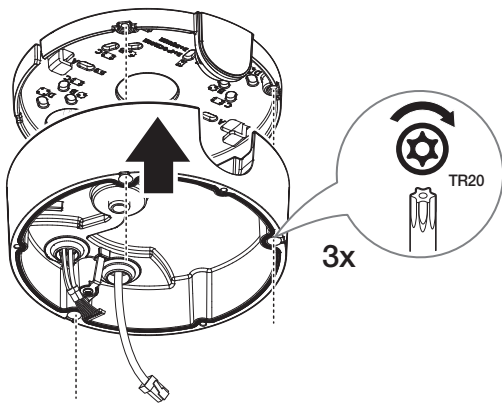


INSTALLATION

8-2



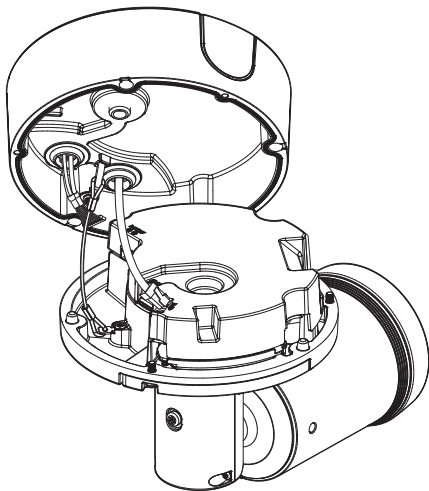
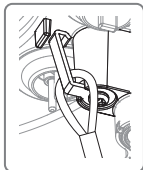
8-3



INSTALLATION

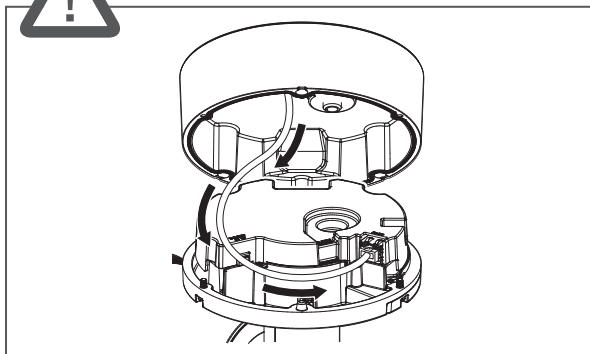
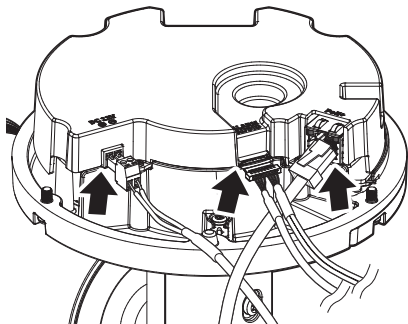
9

e.g.



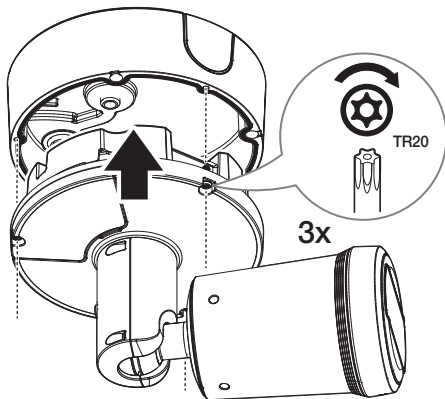
INSTALLATION

10



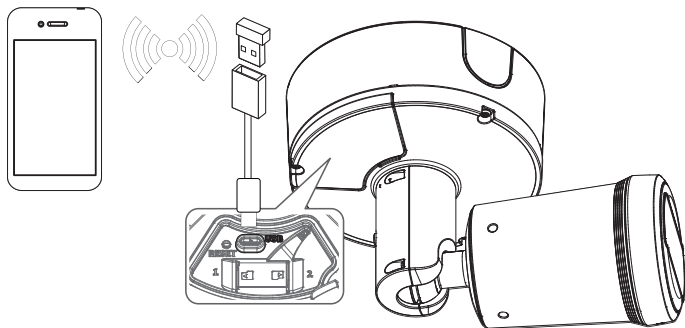
INSTALLATION

11



12

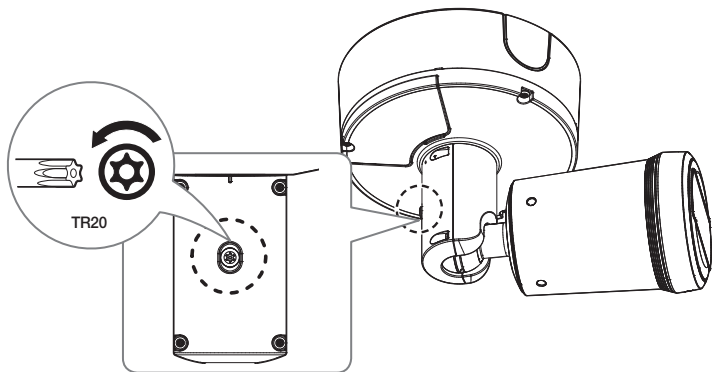
- Not Included : WiFi dongle, OTG adapter





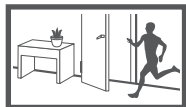
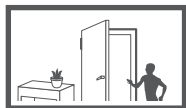
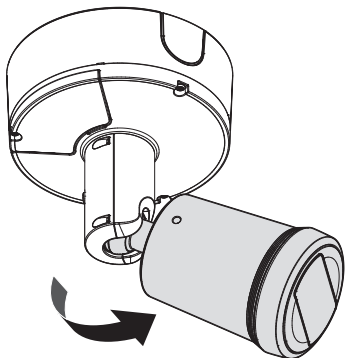
INSTALLATION

14-1

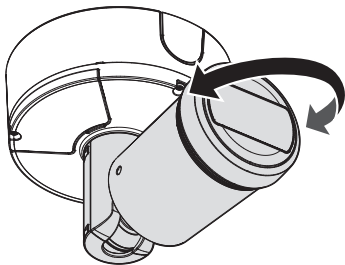


INSTALLATION

14-2

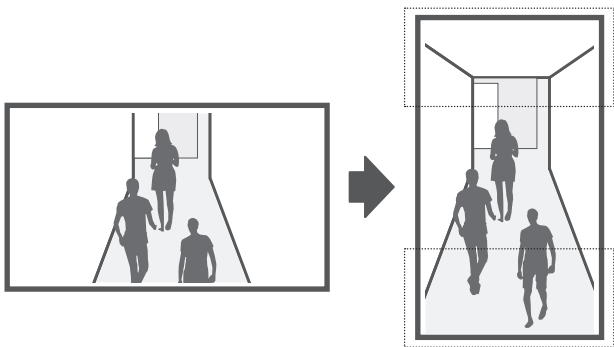
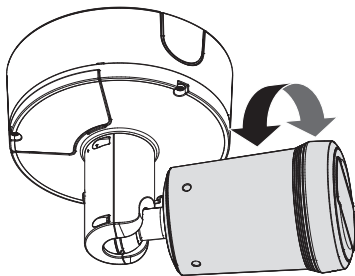


14-3



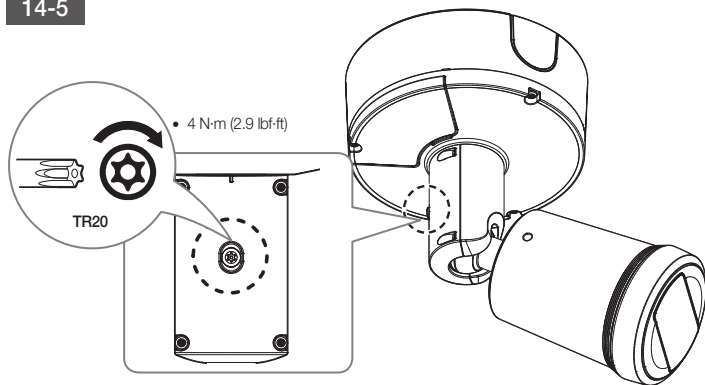
INSTALLATION

14-4

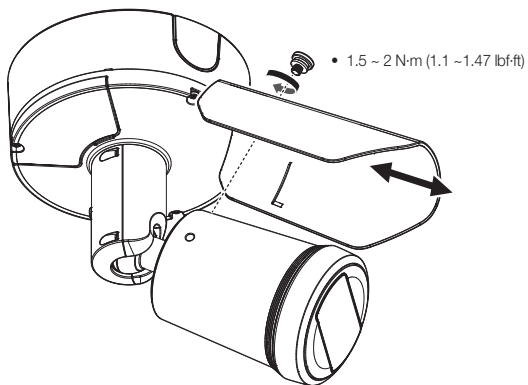


INSTALLATION

14-5

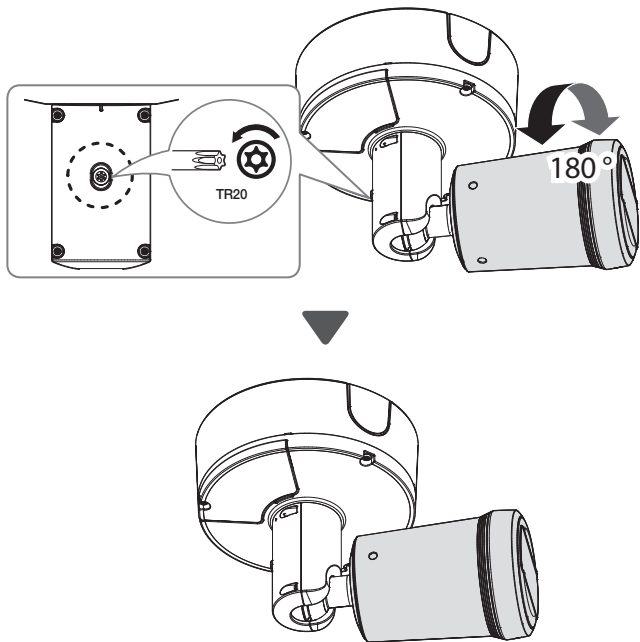


15



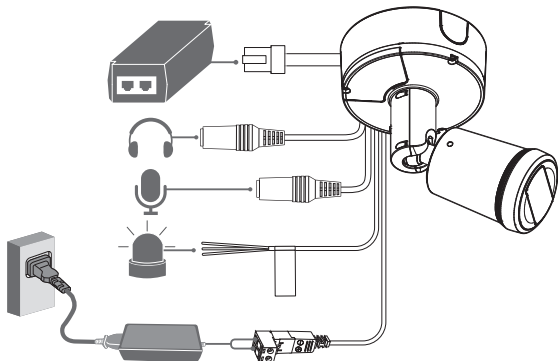
INSTALLATION

- When installing on the ceiling

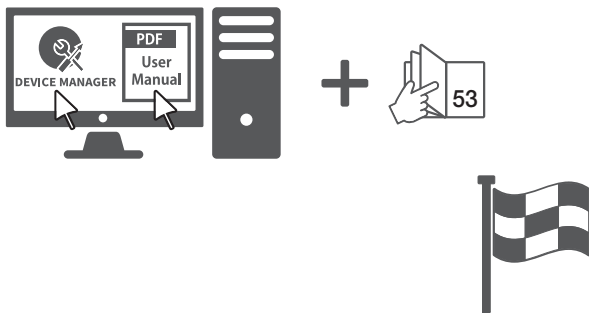


INSTALLATION

16



17



PASSWORD SETTING

When you access the product for the first time, you must register the login password.

Administrator password change

New password

Confirm new password

- If the password is 8 to 9 characters long, it must include at least 3 of the following character types: English uppercase letters, English lowercase letters, numbers, and special characters. (support up to 64 characters)
- If the password is 10 characters or longer, it must include at least 2 of the following character types: English uppercase letters, English lowercase letters, numbers, and special characters.
- ID may not be used as password. The password and ID cannot be identical.
- The following special characters can be used: ~!@#%&*()_+=[]\|:;'"<>.,?/.
- You may not use more than 4 consecutive characters. (example: 1234, abcd, etc.)
- You may not use the same character 4 or more times consecutively. (example: 1111, aaaa, etc.)

Apply



- For a new password with 8 to 9 characters, you must use at least 3 of the following: uppercase/lowercase letters, numbers and special characters. For a password with 10 characters or longer, you must use at least 2 types of those mentioned. (support up to 64 characters)
 - Special characters that are allowed: ~!@#%&*()_+=[]\|:;'"<>.,?/.
- Space is not allowed for password.
- For higher security, you are not recommended to repeat the same characters or consecutive keyboard inputs for your passwords.
- If you lost your password, you can press the [RESET] button to initialize the product. So, don't lose your password by using a memo pad or memorizing it.

LOGIN

Whenever you access the camera, the login window appears.

Enter the User ID and password to access the camera.

- 1 Enter **"admin"** in the <User Name> input box.
- 2 Enter the password in the <Password> input field.
- 3 Click [Sign in].

CONNECTING TO WiFi

Camera setting

- 1 Connect the OTG gender (Type C) and WiFi dongle to the USB Type C port.

Smartphone setting

- 1 Install the Wisenet Installation application.
- 2 Select the camera SSID after turning on the WiFi.
- 3 Run the Wisenet Installation application.
- 4 When you log in to the camera, the video will be connected.
- 5 You can adjust angle of view while watching the video through smartphone.

HEVC Advance™

Covered by patents at patentlist.accessadvance.com



microSD, microSDHC, and microSDXC Logos are trademarks of SD-3C LLC.

microSD, microSDHC, microSDXC are trademarks or registered trademarks of SD-3C, LLC in the United States, other countries or both.



Подлежит использованию по назначению
в нормальных условиях
Срок службы : 7 лет.

Türkiye Distribütörü

EDS Elektronik Destek Sanayi ve Ticaret Ltd. Şti.

Meclis Mah. Teraziler Cad. Hayran Sk. (Eskisi Kılıç Sk.) No: 4 Sancaktepe / İstanbul / Türkiye
Tel +90.216.313.25.15

ENTES ELEKTRONİK CİHAZLAR İMALAT VE TİC. A.Ş.

Dudullu Org.San.Bölg. 1. Cad. No:23 34776 Ümraniye / İstanbul / Türkiye
Tel +90.216.313.01.10

TEKNOMAKS TEKNOLOJİ / TEKNOMAKS BİLİSİM

MERDİVENKÖY MAH.DİKYOL SOK. BUSINESS İSTANBUL No:2, Kat:7, D:B67, 34732 Kadıköy / İstanbul / Türkiye
Tel +90.212.217.54.22

Cihazın Ticaret Bakanlığına önerilen ortalama ömrü

Cihazın EEE yönetmeliklerine uygun olduğuna benzer beyan

