



SPI-BWW0

BCR Camera LED module

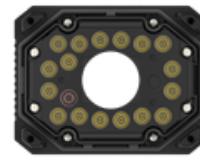


Key Features

- White LED Module for 3MP BCR Camera, available with 6mm lens
- Power Consumption: 6.9 W
- LED Color: White
- LED Quantity: 16EA
- IP66/IP67(camera and front cover must be assembled)
- Operating Temperature / Humidity: -40°C~+55°C / 0~95% RH
- Supported products: TNS-7000M

SPI-BWW0

BCR Camera LED module



Specifications

Environmental

Operating Temperature / Humidity	-40°C~+55°C (TBD) / 0~95% RH
Storage Temperature / Humidity	-40°C ~ +60°C (TBD) / Less than 95% RH
Certification	FCC, UL, CE, KC, IEC 62471 IP66/IP67(camera and front cover must be assembled)

Electrical

Input Voltage	24 VDC \pm 10%
Power Consumption	6.9W

Mechanical

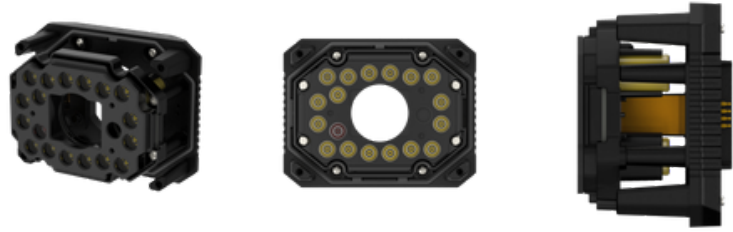
Product dimensions / weight	W101.2mm x D53.8mm x H78.2mm / 200g
Supported products	TNS-7000M

LED

Color Temperature	6,500 K \pm 10%
Quantity	16EA
Angle	FWHM : 60° 10- $\%$: 88

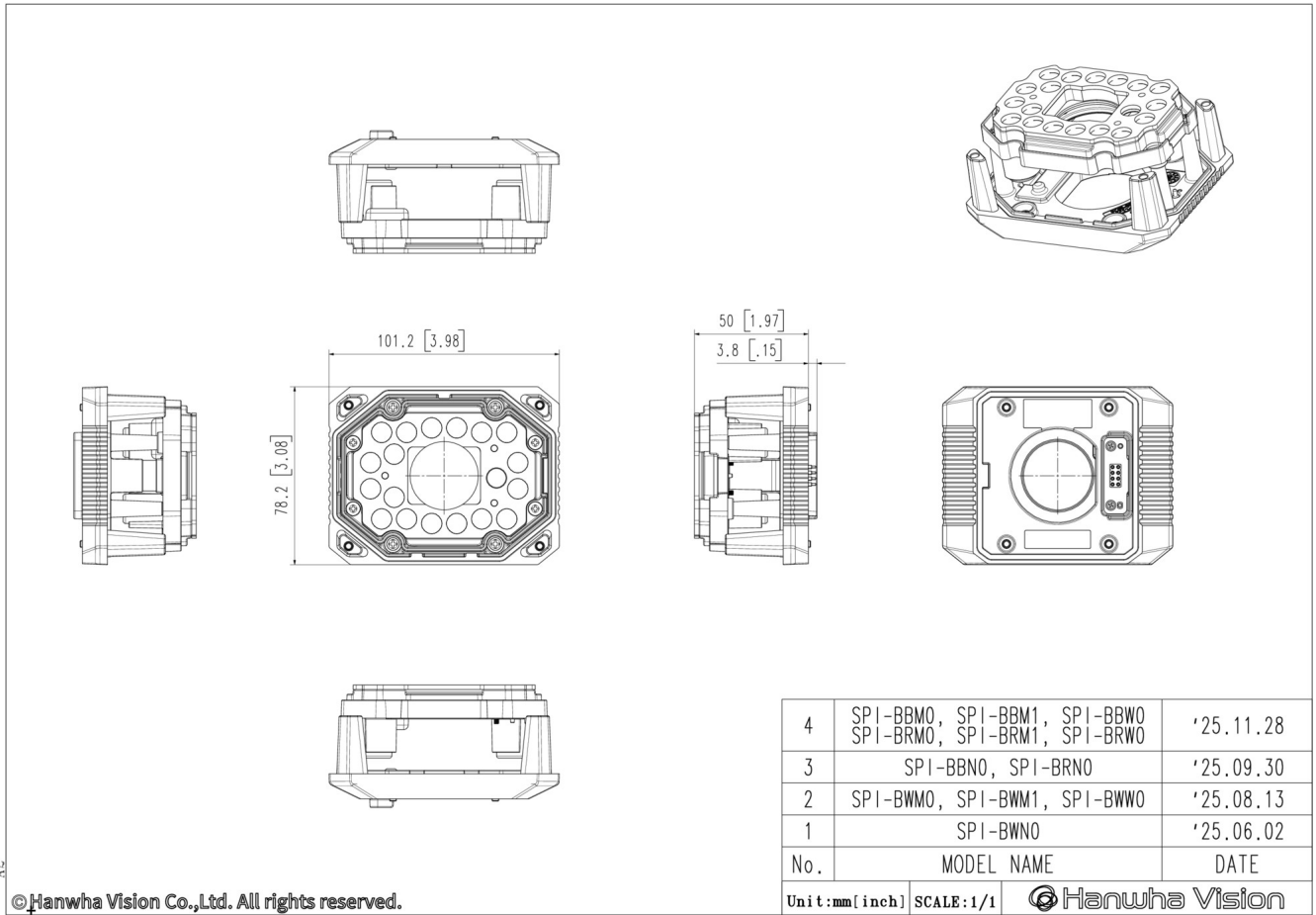
SPI-BWWO

BCR Camera LED module



CAD

Unit: mm [inch]



© Hanwha Vision Co., Ltd. All rights reserved.