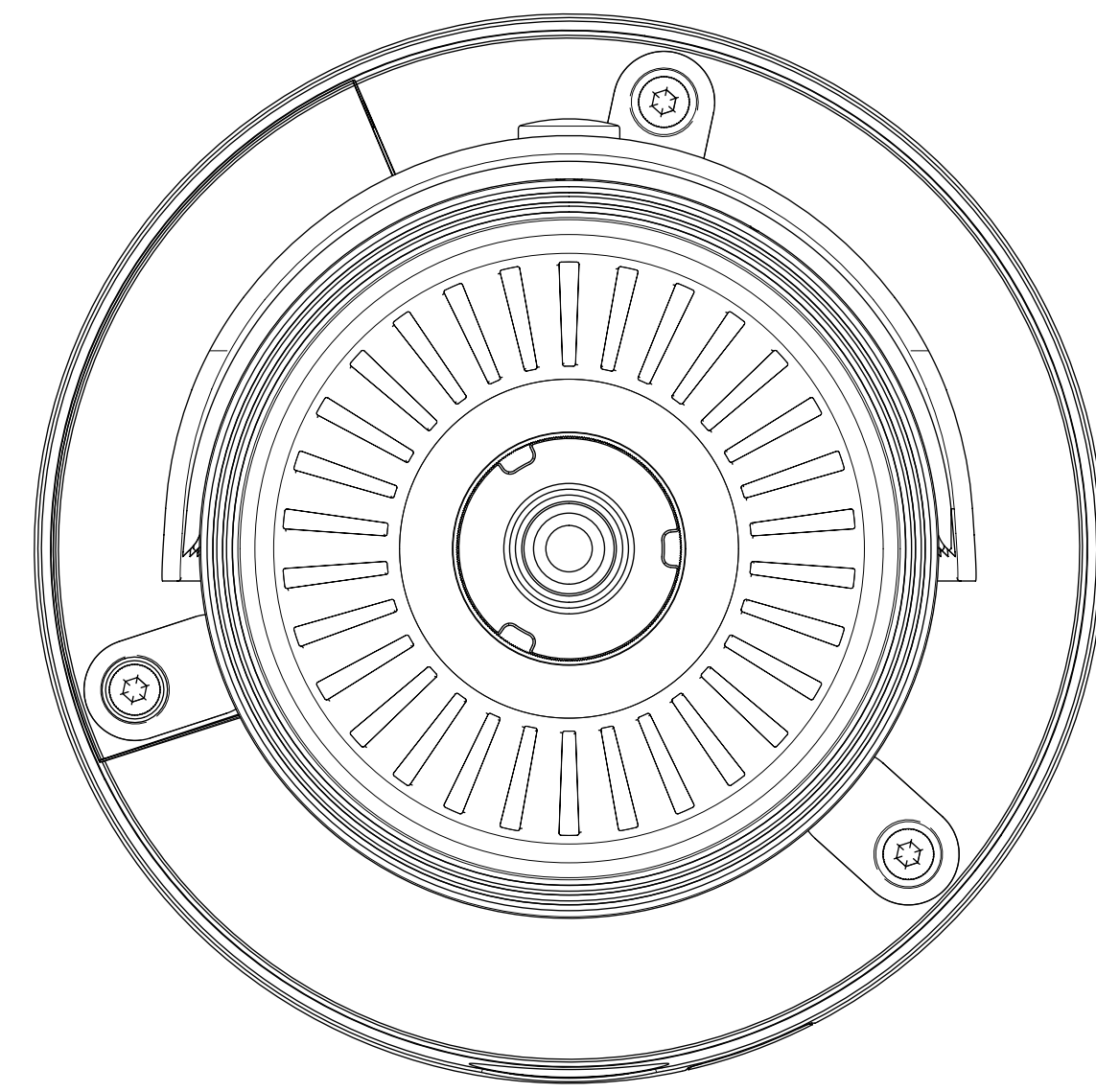
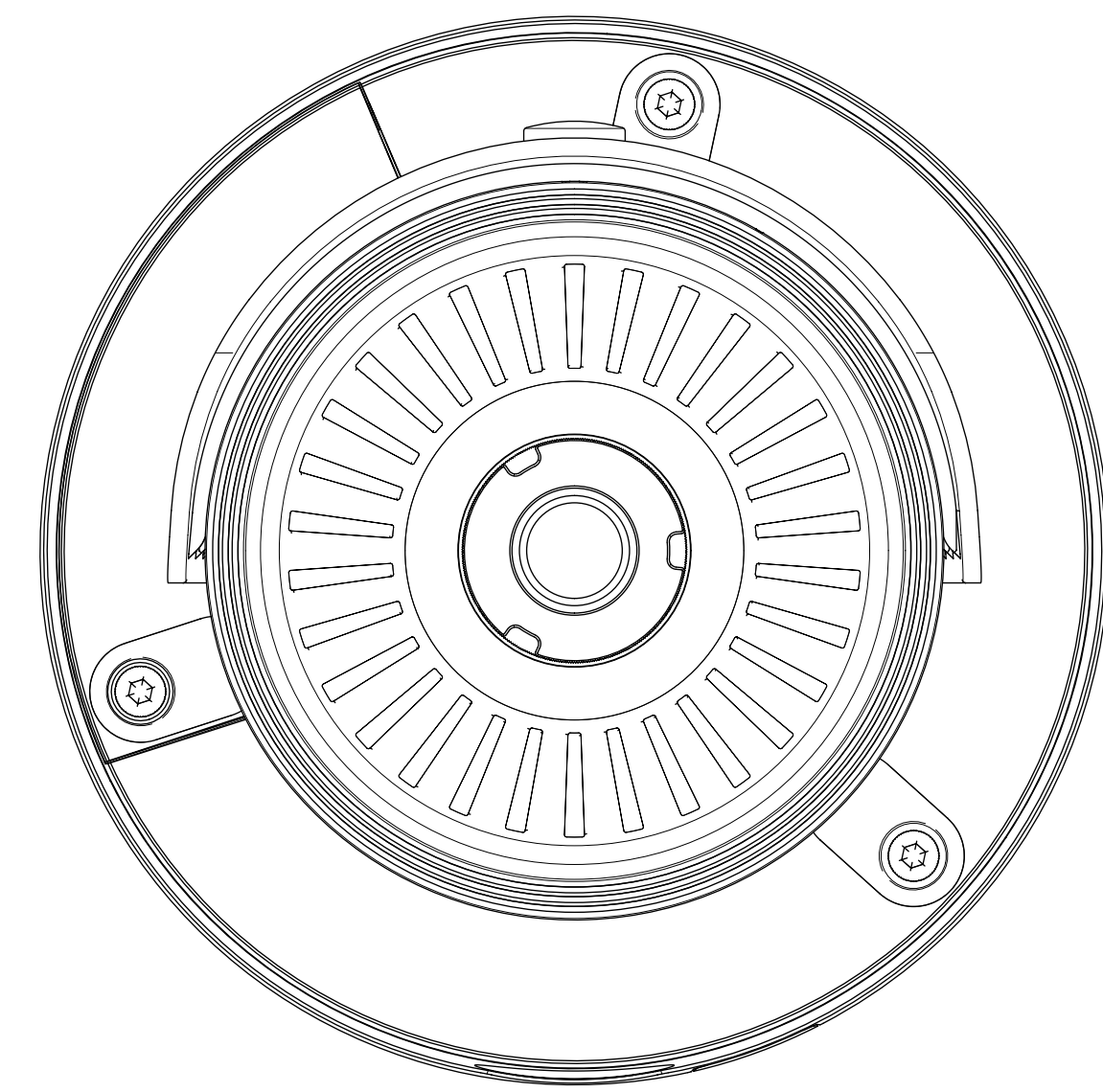


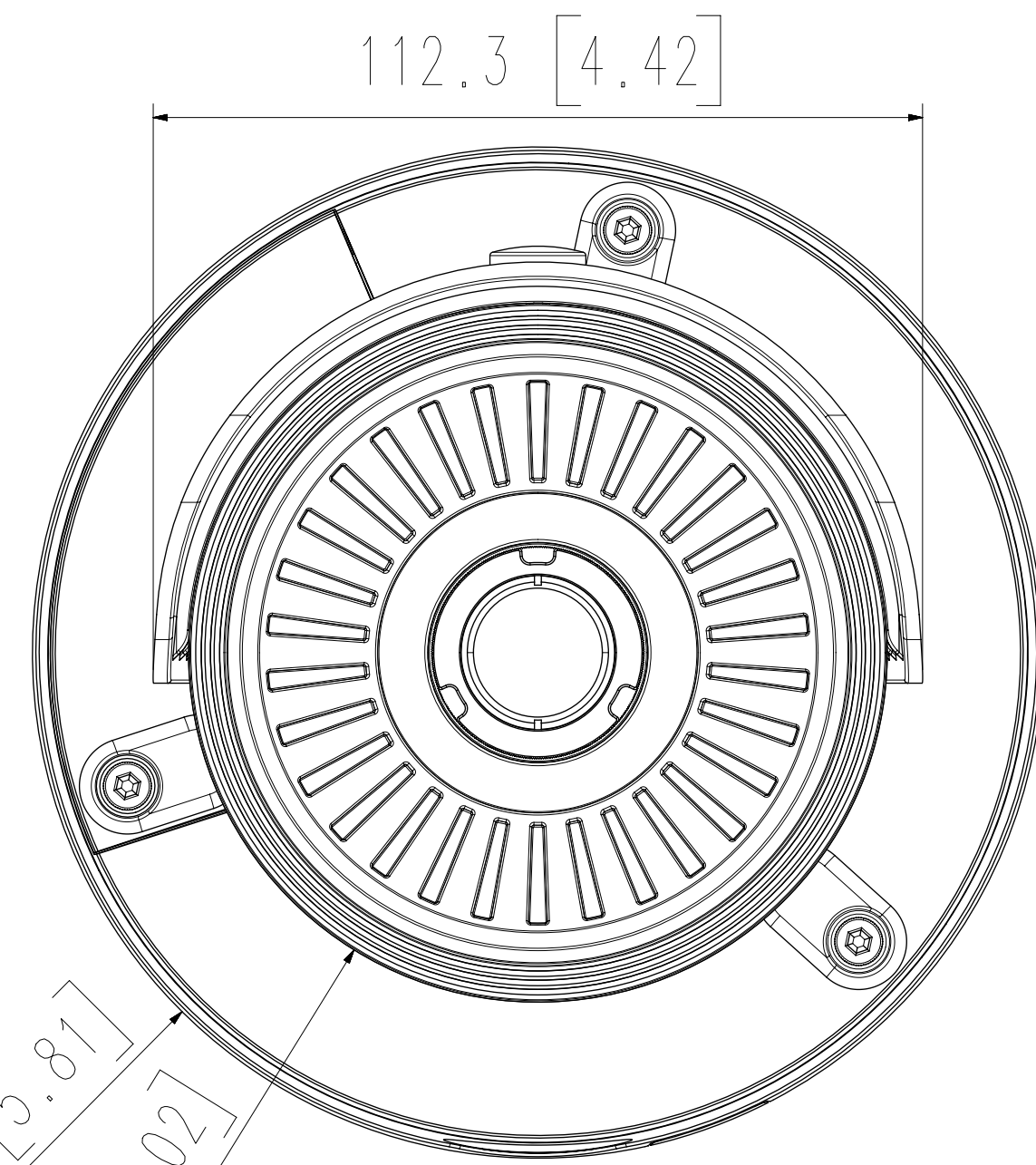
TNO-3010T



TNO-3020T

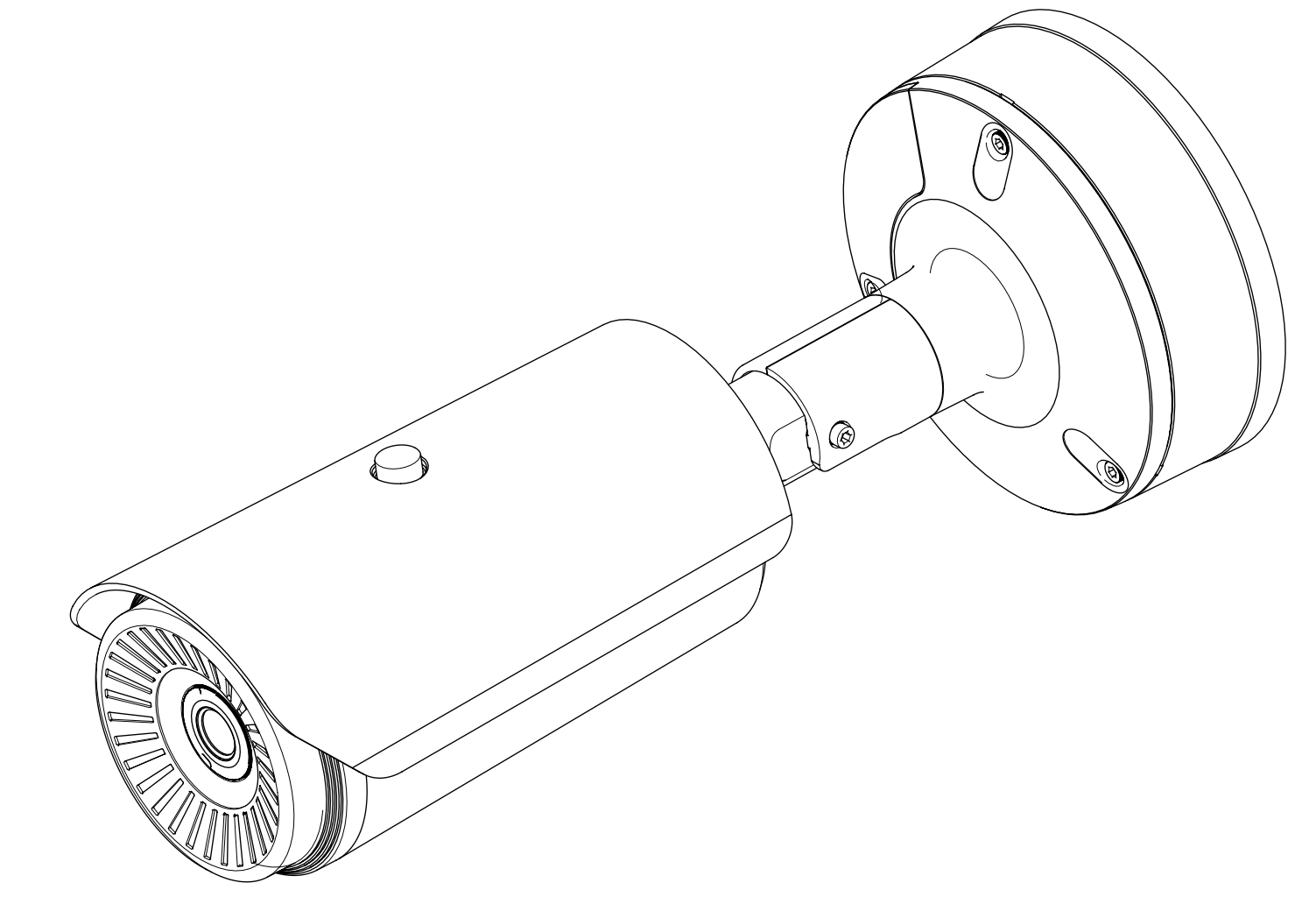
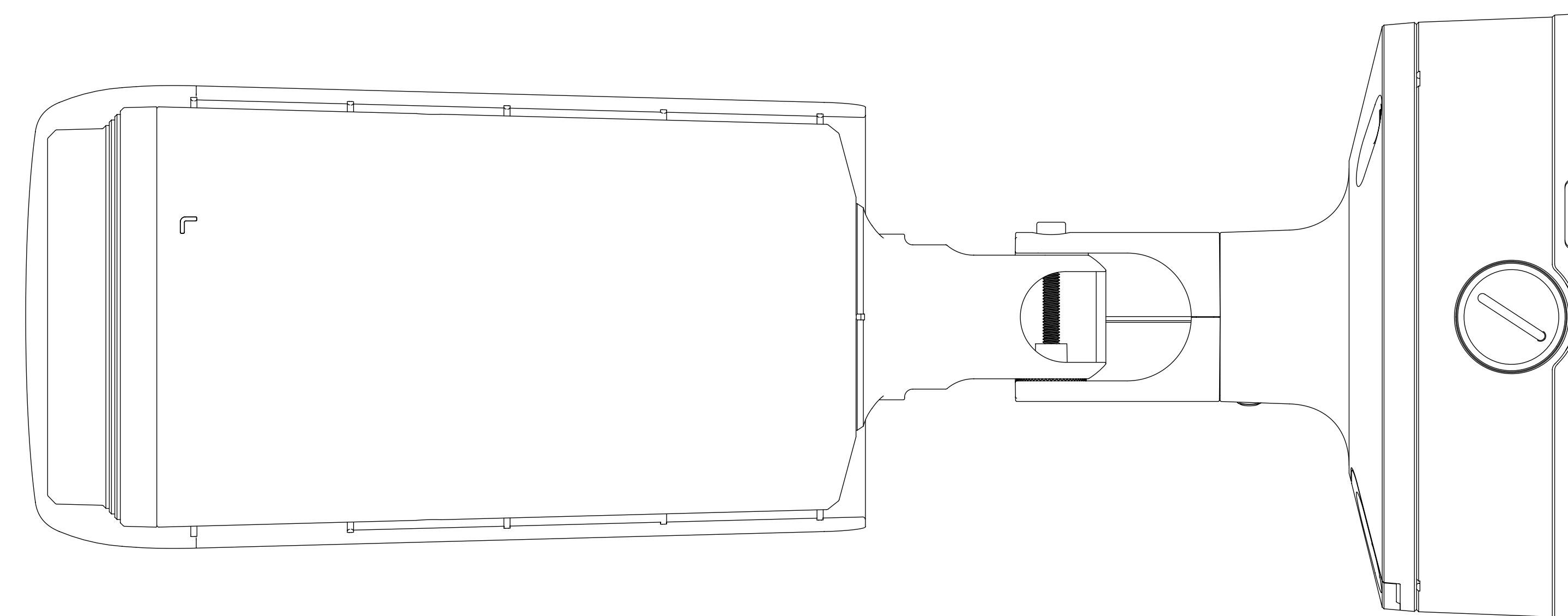
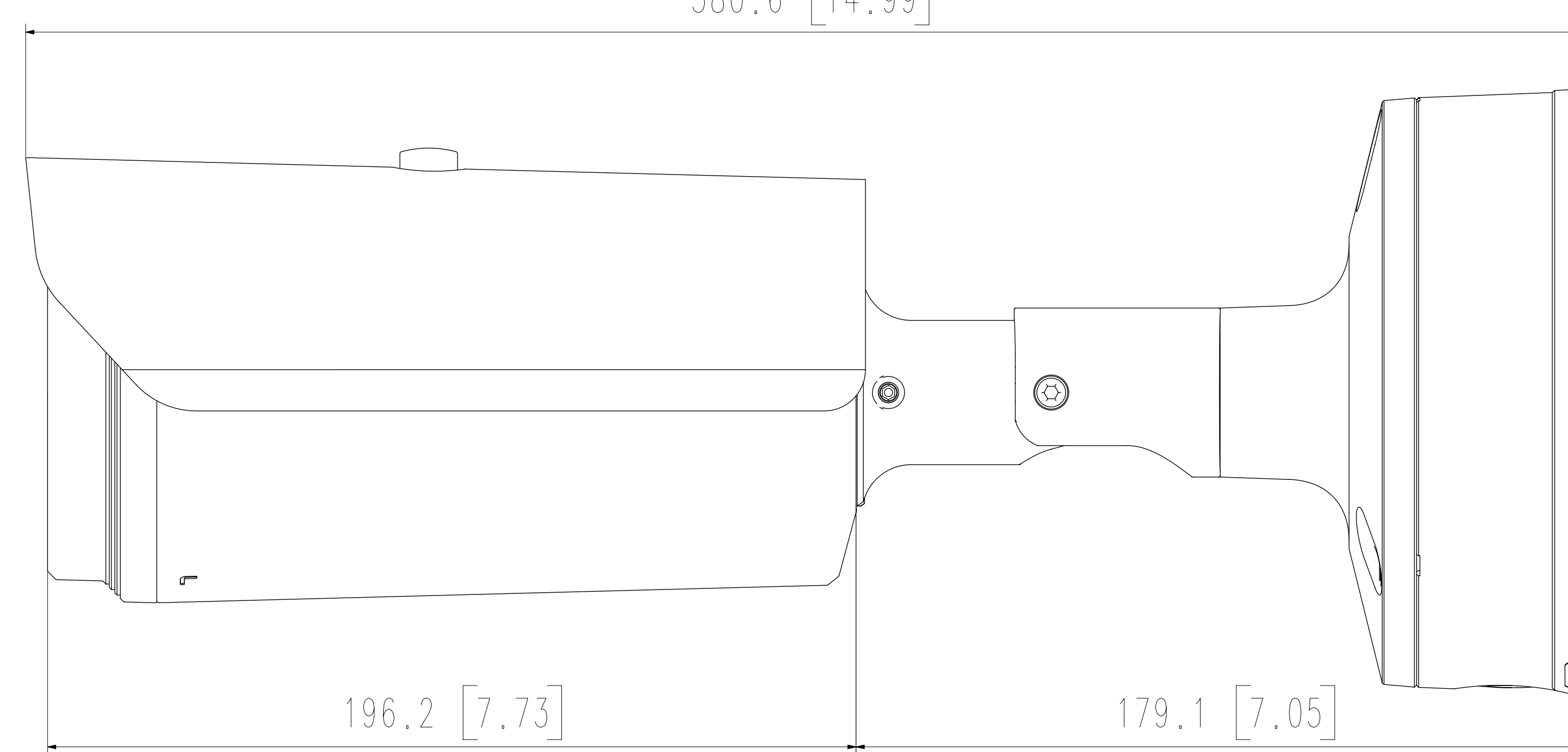
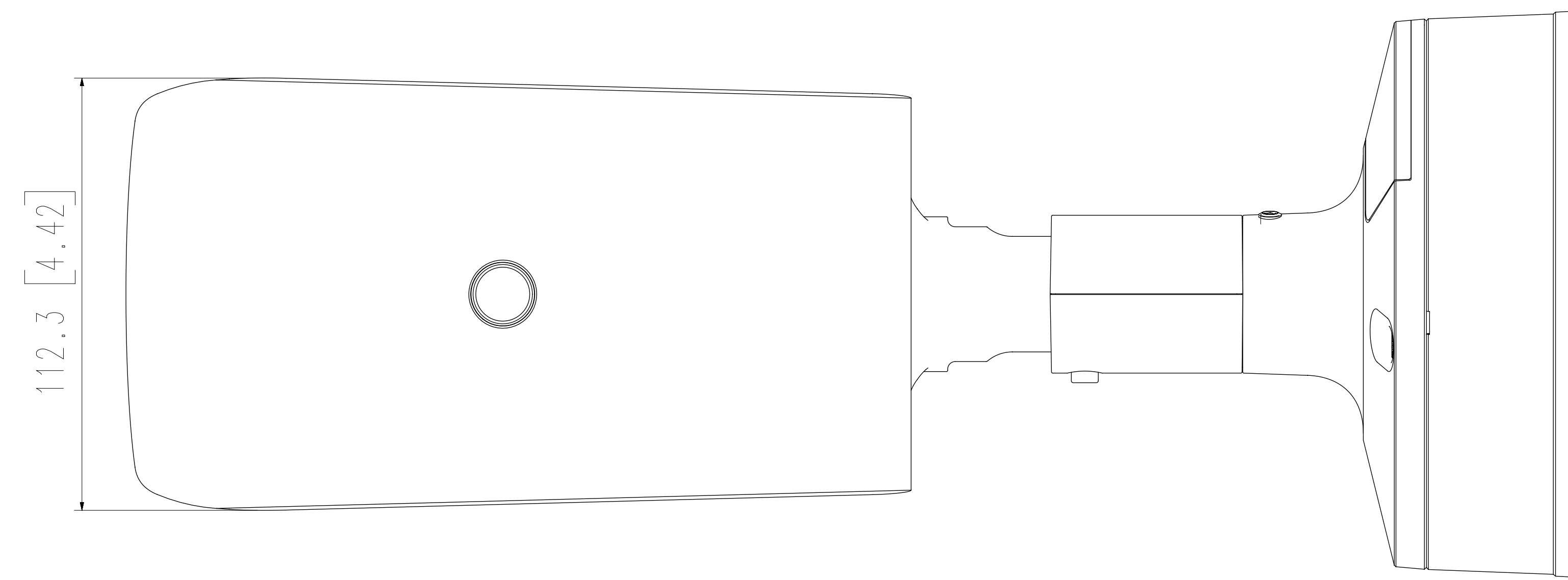


TNO-3030T, L3030T

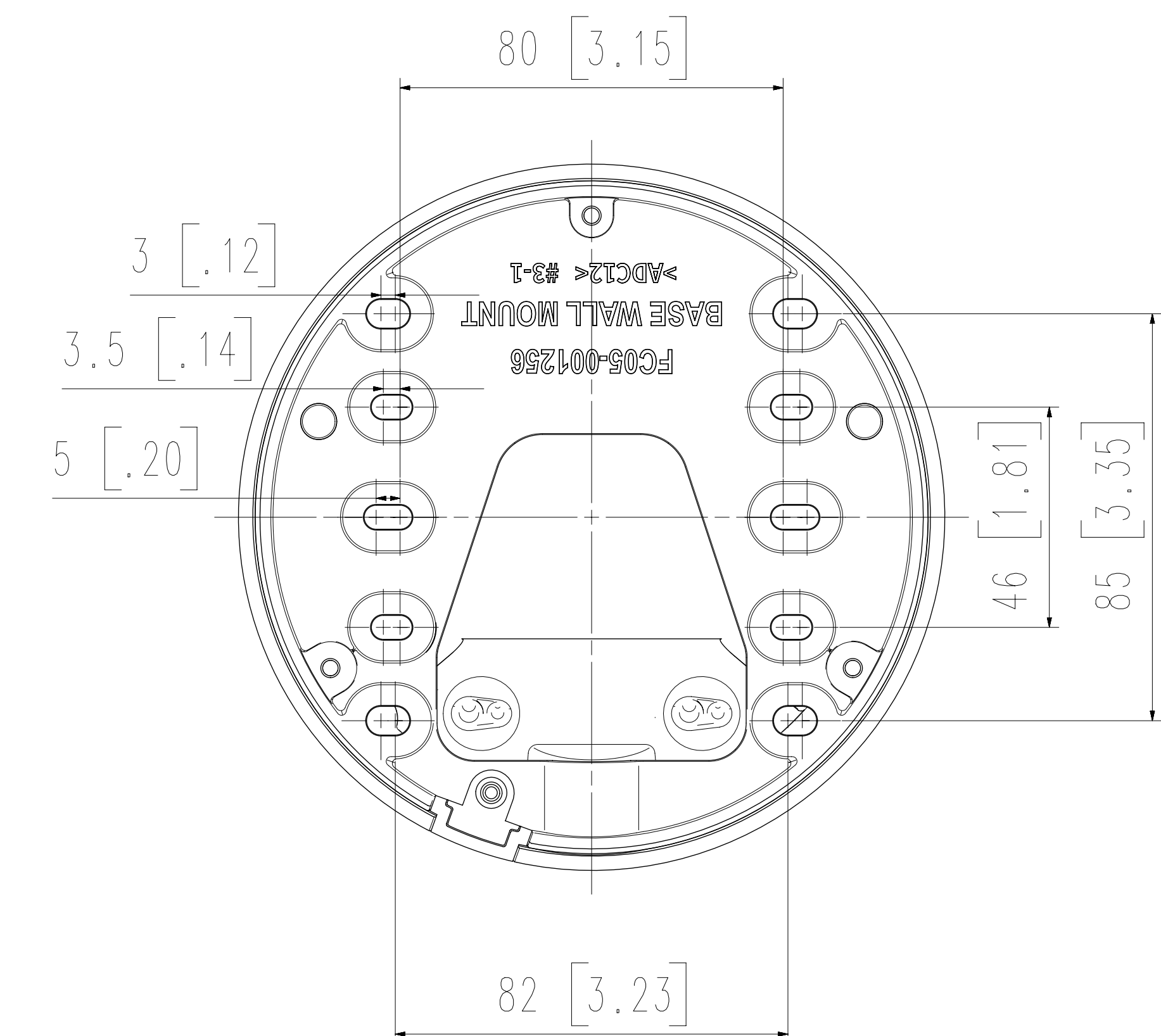


TNO-3040T

FRONT VIEW



SCALE 2:1



4		
3	TNO-L3030T	22.11.15
2	TNO-3040T	21.03.25
1	TNO-3010T/3020T/3030T	19.09.02
No.	MODEL NAME	DATE
Unit : mm (inch)		SCALE : 1/1